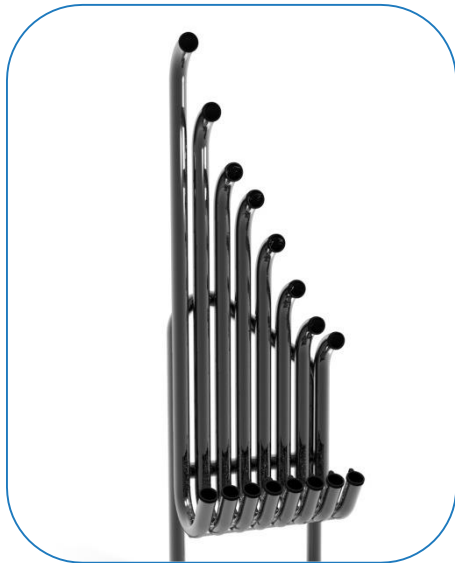
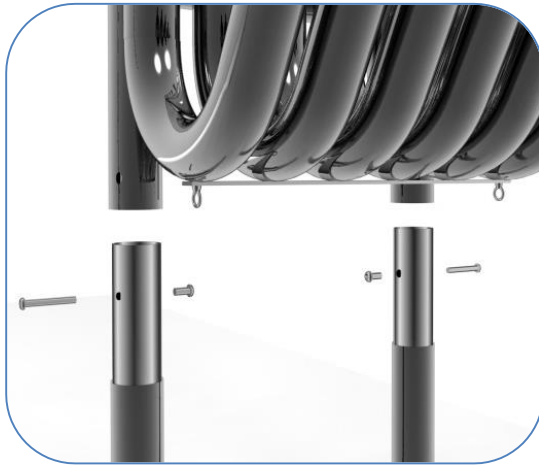


Installation Instructions

Surface Fixed

Tembos Diatonic
Page 1 of 3



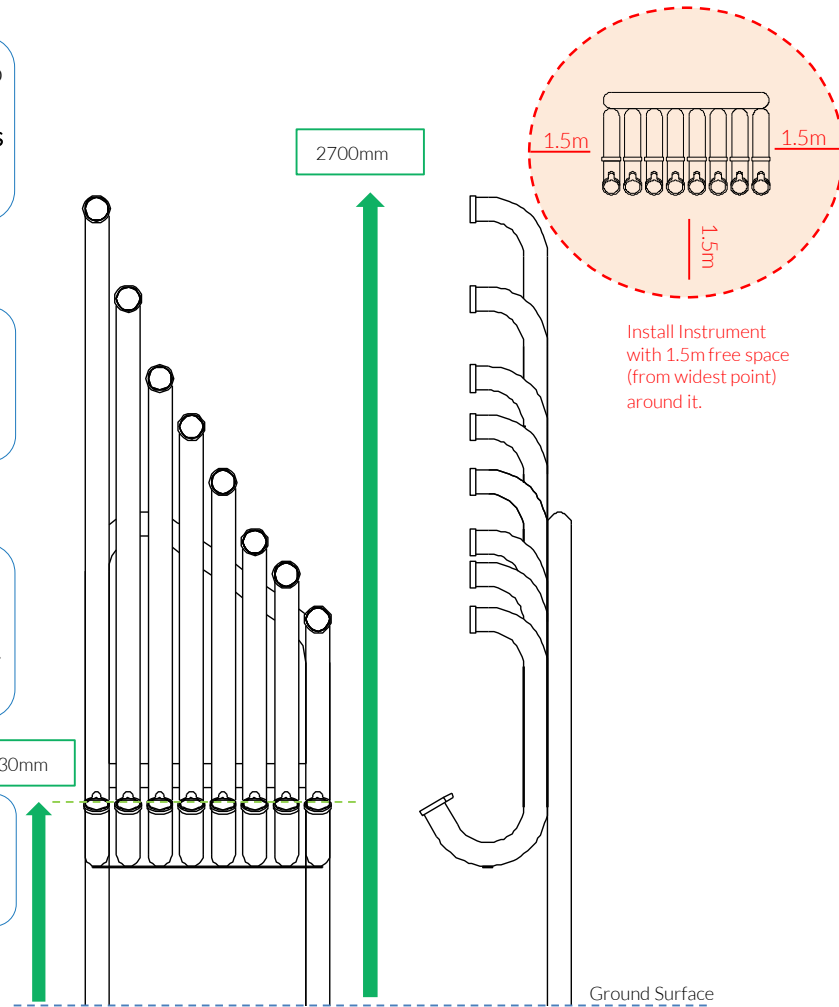
1. Locate Tembos frame onto legs and, and bolt into place using pre drilled holes, **2 bolts** per post.(See Assembly Guide)

2. Attach Surface Fixing posts to legs(1.2) (See Ground Fix Post Installation Sheet)

3. Locate Instrument in desired location and mark holes to fix to desired surface.

4. Fix to Surface using recommended ground anchors not supplied

5. Make sure all fixings are covered and secure using cover caps provided



Install Instrument with 1.5m free space (from widest point) around it.

CAUTION: Tembos surface can get hot in direct sunlight, if possible install in shaded areas.

Weight of heaviest part 70kg (Tembo Frame)



Pair Neoprene Paddles X1

Surface Fix Components:

M10x70 Security Screw x2

M10 Barrel Nut x2

2 Part Cover Cap x8

Metric Conversion:
730mm/ 28 47/64"
1.5m/ 59"
2700mm/ 106 19/64"

Surface Fixed

Tembos Diatonic
Page 2 of 3



Instrument Components:



x16

M10x100 Security Screw



x32

M10 Flanged Slide Bearing



x2

M6 Eye Bolt

Thread Lock Solution
Required (Not Supplied)





Main Frame will arrive pre assembled

Thread Lock Solution
Required (Not Supplied)

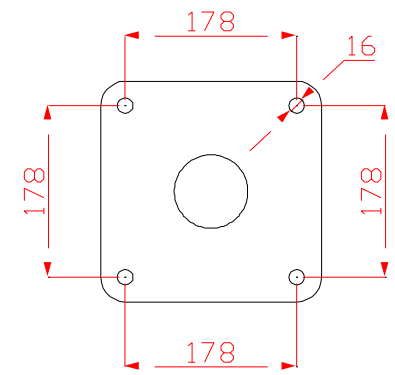
CAUTION: Tembos surface can get hot in direct sunlight, if possible install in shaded areas.

Post Centres
722mm /28
27/64inch

Tools:





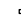

 x1
  x2

Pin Hex Driver Bit TX45 Driver Bit



Thread Lock Solution
Required (Not Supplied)




COMPONENTS LIST:

-  M6 Eye Bolt X2
-  M10x70 Pin torx X4
-  M10 Barrel Nut Pin torx X4
-  M10x100 Pin torx X16
-  M10 Black Slide Plastic Bearing X32
-  SS Brace Bar X1



Pair Neoprene Paddles X1

Surface Fix Components:

-  x4
-  x4
-  x8

Spares available from
percussionplay.com or from your local distributor

70 Kg

Tools:

 x2
 TX 45 Driver Bit

Surface Fixed

Tembos Diatonic
 Page 3 of 3



Components:



x4

M10 Barrel Nut



x4

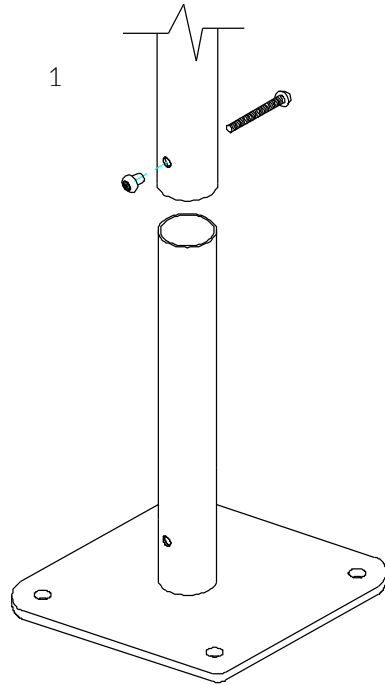
M10x70 Security Screw



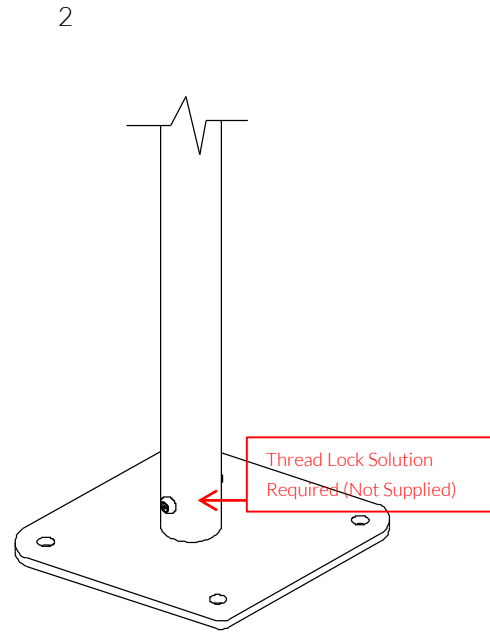
x8

2 Part Cover Cap

Thread Lock Solution
 Required (Not Supplied)

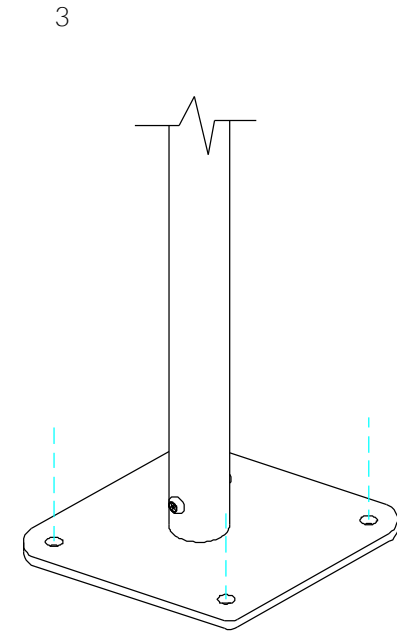


1
 Locate the Surface fix Plate into the leg of the instrument.



2
 Fix instrument to Surface fix plate using M10 bolt and Barrel Nut and use **thread locking solution** to prevent fixings working loose.

Thread Lock Solution
 Required (Not Supplied)



3
 Fix Surface Plate to the ground surface **Ground Anchors Not provided** cover fixings with caps provided

Repeat Parts 1-3 for both legs



MADE IN BRITAIN

BSEN 1176