

Installation Instructions

Surface Fixed

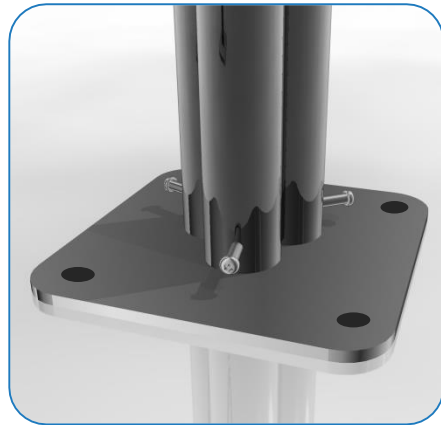
Babel Drum
Page 1 of 2



Instrument Components:



Metric Conversion:
850mm/ 33 15/32"
855mm/ 33 21/32"
1.5m/ 59"



Weight of heaviest part **17.5kg** (Large Babel Drum)
Weight of heaviest part **13.4kg** (Small Babel Drum)

1. Unpack ground fixing legs 3no.

2. Lay packaging out on floor or assemble on non-abrasive surface to prevent marking of polished stainless steel.

3. Align holes on legs to holes on surface fixing (opposite end to polished domes) and secure in place using 3no. M10 x 30mm Screws
Tools required TX 45 Driver Bit)

4. Invert assembled frame so domed ends face upwards.

5. Place 8mm Hex Key supplied into hole in leg and lock into internal bolt.

6. Remove Black Cap opposite side of leg and keeping Hex Key in place, slide black polyurethane damper over bolt until flush with end of bolt. Repeat for other 2 legs

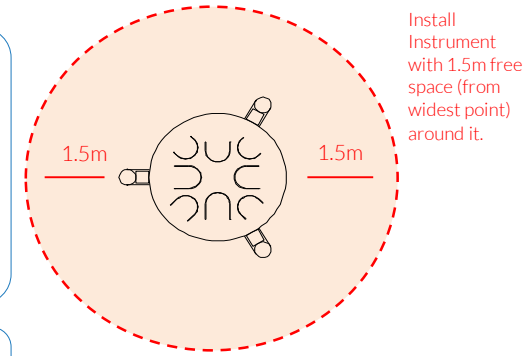
7. Unpack babel drum leaving black film in place to protect.

8. Align holes in side of babel drum with bolts on legs.

9. Using 8mm Hex Key screw bolts into drum to secure in place.
Use thread locking solution
All hole locations are laser cut for accuracy to ensure holes in drum align perfectly with legs.

10. Using TX40 driver provided secure M8 x 25mm security bolts into external holes in legs 3no. Use thread lock solution

11. Locate Babel Drum in desired location and mark holes to fix to desired surface.



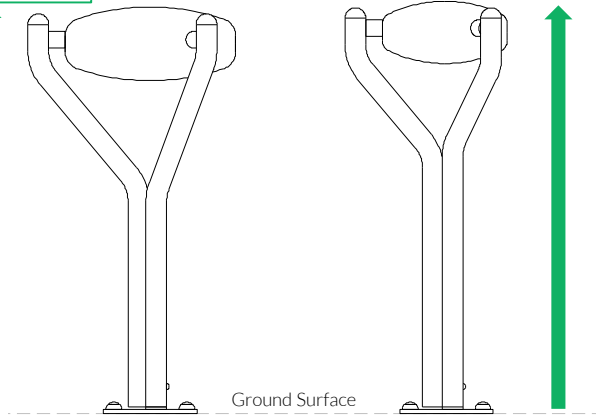
12. Fix to Surface using recommended ground anchors (**Ground Anchors are not supplied**)

13. Make sure all fixings are covered and secure using cover caps provided

850mm from Plate

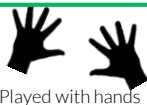
855mm from Plate

CAUTION: Drum surface can get hot in direct sunlight, if possible install in shaded areas.



Large 8 note

Small 6 note



Ground Fix Components:



Ground Anchors not supplied

Spares available from percussionplay.com or from your local distributor

22 Kg
13.4 Kg

Tools:

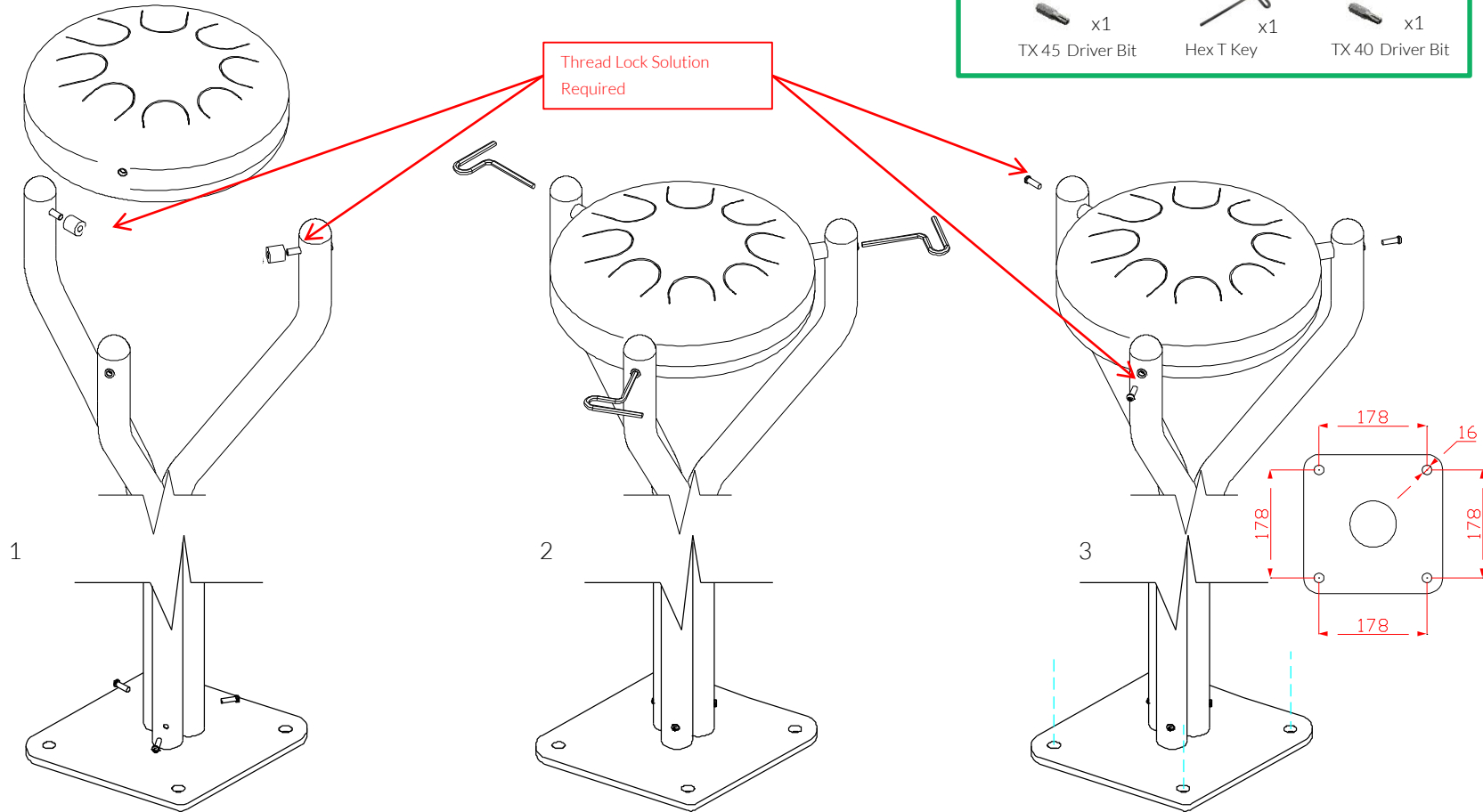
- TX 45 Driver Bit x1
- Hex T Key x1
- TX 40 Driver Bit x1

Surface Fixed

Babel Drum
Page 2 of 2



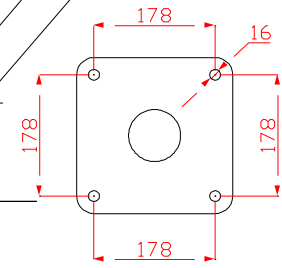
Instrument Components:



1

2

3



Thread Lock Solution Required

Locate the Surface fix Plate into the leg of the instrument.

Fix instrument to Surface fix plate using M10 Screws and use **thread locking solution** to prevent fixings working loose.

Fix Surface Plate to the ground surface **Ground Anchors Not provided** cover fixings with caps provided



Ground Fix Components:



Ground Anchors not supplied

Spares available from percussionplay.com or from your local distributor

22 Kg
13.4 Kg

Installation Instructions

Surface Fixed

Bell Lyre
Page 1 of 2



Weight of heaviest part **14.4kg** (Bell Lyre)

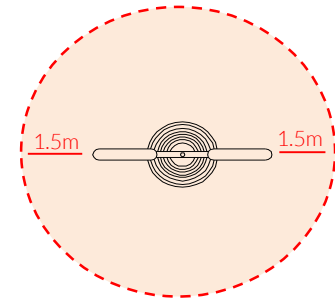
1. Attach Surface Fixing posts to legs (See Surface Fix Post Installation Sheet)

2. Locate Plate in desired location and mark holes to fix to desired surface.

3. Fix Surface Plate to level surface using Coachscrews, Rawlbolts, chemical anchors or similar as deemed appropriate by Installer.

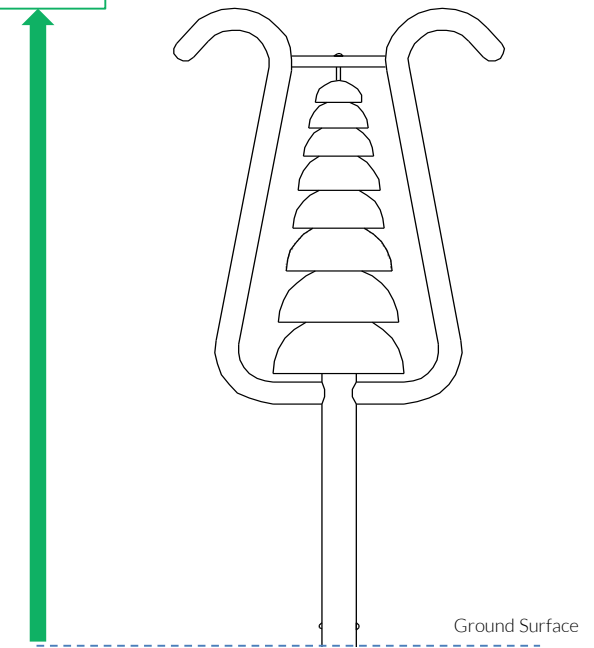
(It is your responsibility to ensure that the existing surface is suitable to receive the appropriate fixing)

4. Make sure all fixings are covered and secure using cover caps provided



Install Instrument with 1m free space (from widest point) around it.

1525mm



Ground Surface

CAUTION: Bell Lyre surface can get hot in direct sunlight, if possible install in shaded areas.



Pair Small Red Beaters X1

Ground Fix Components:



2 Part Cover Cap x4



x1



x1

M10x70 Security Screw M10 Barrel Nut

Ground Anchors not supplied

Spares available from percussionplay.com or from your local distributor

23.5 Kg

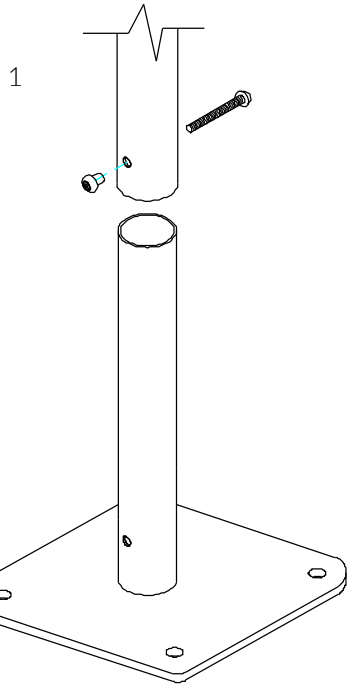
Surface Fix Post Installation

Tools:

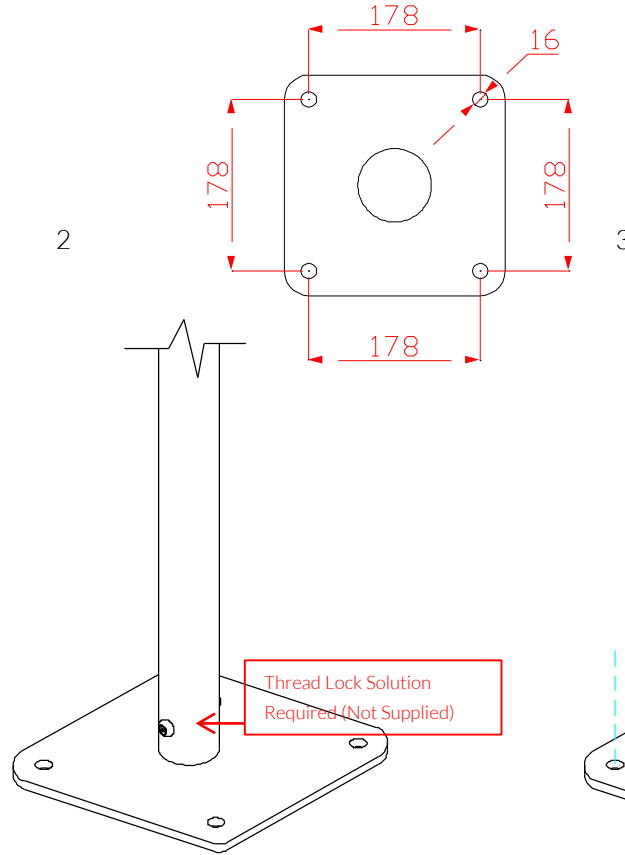
 x2
TX 45 Driver Bit

Surface Fixed

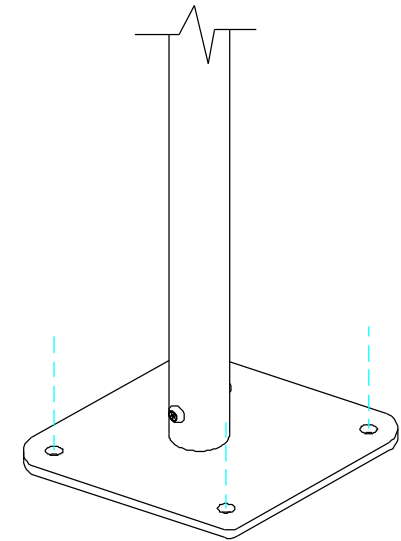
Bell Lyre
Page 2 of 2



Locate the Surface fix Plate into the leg of the instrument.



Fix instrument to Surface fix plate using M10 bolt and Barrel Nut and use **thread locking solution** to prevent fixings working loose.



Fix Surface Plate to the ground surface **Ground Anchors Not provided** cover fixings with caps provided

Components:



x1

M10 Barrel Nut



x1

M10x70 Security Screw



x4

2 Part Cover Cap

Thread Lock Solution
Required (Not Supplied)



**MADE IN
BRITAIN**

BSEN 1176

Installation Instructions

Surface Fixed

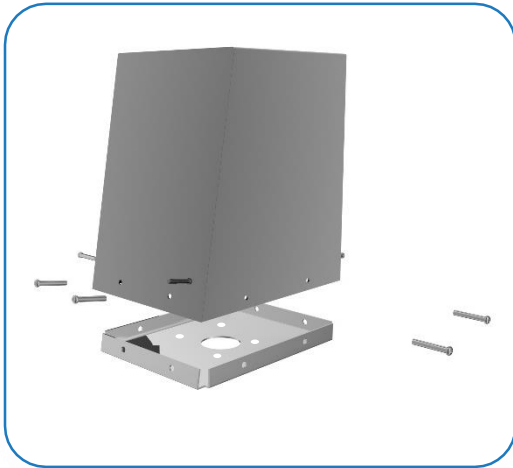
Cajón
Page 1 of 2



Instrument Components:



Metric Conversion:
200mm/ 8"
400mm/ 16"
450mm/ 18"
1.5m/ 59"



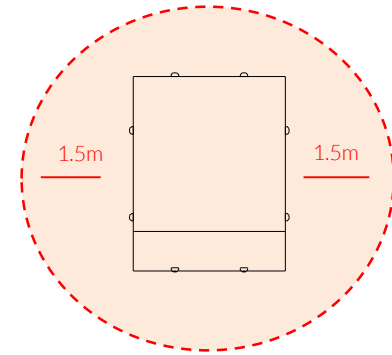
Weight of heaviest part 18kg (Cajón Drum)

1. Locate Instrument in desired location and mark holes to fix to desired surface.

2. Fix to Ground Surface through pre drilled holes in folded base using recommended ground anchors (**Ground Anchors are not supplied**)

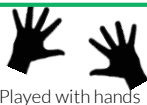
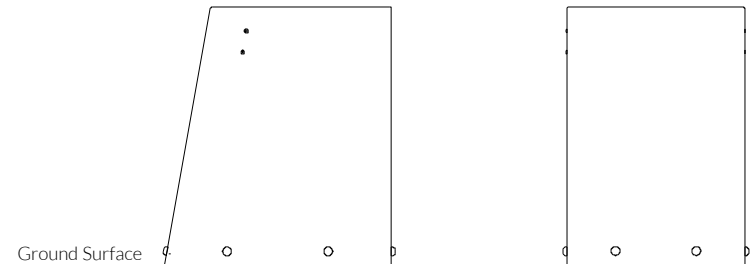
3. Attach Cajón to ground fix plate and leg using **M8x25mm security screws** provided using thread lock solution not supplied.

4. Make sure all fixings secure using cover caps provided



Install Instrument with 1.5m free space (from widest point) around it.

CAUTION: Drum surface can get hot in direct sunlight, if possible install in shaded areas.



Surface Fix Components:



Ground Anchors not supplied

Spares available from percussionplay.com or from your local distributor

20 Kg

Surface Fixed

Cajón
Page 2 of 2



Instrument Components:



x8
M8x25mm Pin Torx

CAUTION: Drum surface can get hot in direct sunlight, if possible install in shaded areas.

Thread Lock Solution Required (Not Supplied)



BS EN 1176



Played with hands

Surface Fix Components:

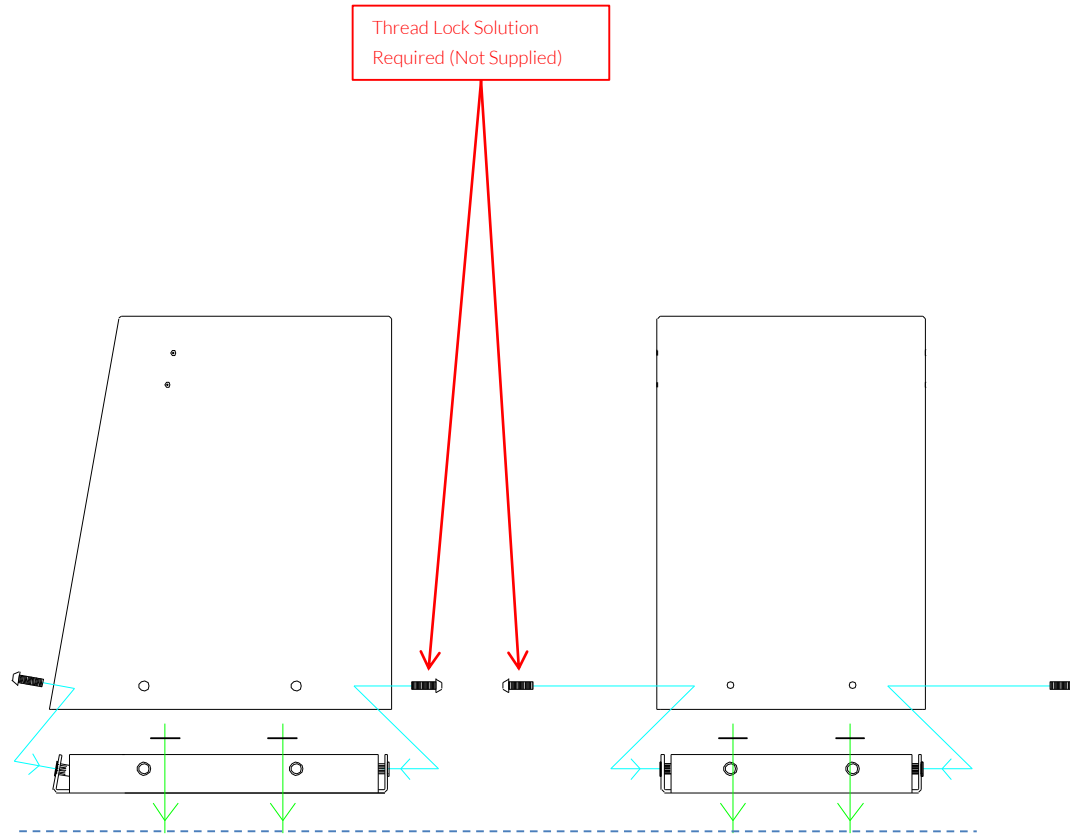


x4
M10 Washers



Ground Anchors not supplied

Spares available from percussionplay.com or from your local distributor

20 Kg

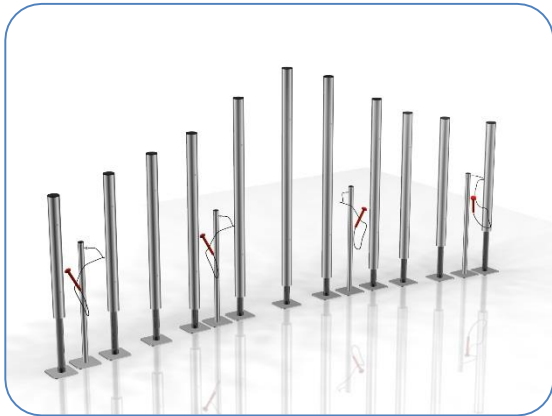


COMPONENTS LIST:

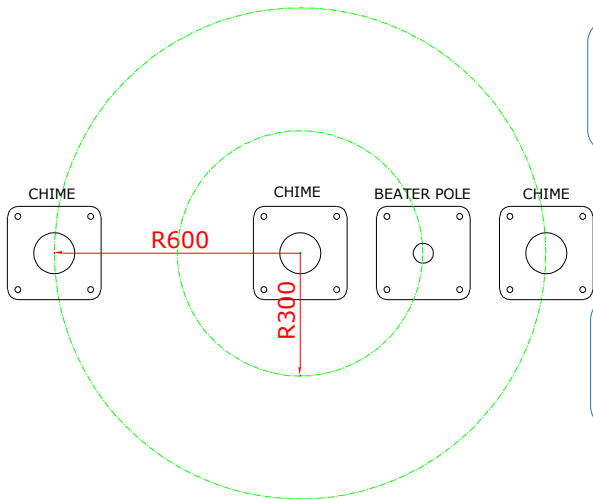
-  M8x25 Pin torx X8
-  M10x30 washer X4

Installation Instructions

Surface Fixed Colossus Chimes Page 1 of 2



Surface fixing centre spacing 600mm for each chime and 300mm for beater poles



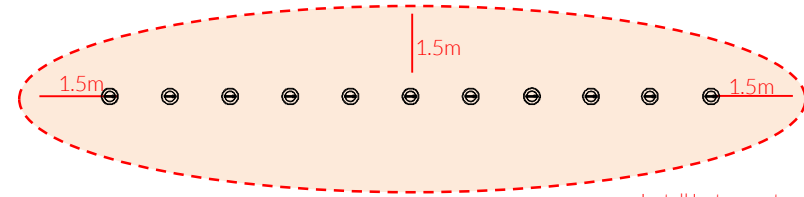
Weight of heaviest part 9kg (Chime)

1. Attach Surface Fixing plates to the base of each chime (1.1) (See Surface Fix Plate Installation Sheet)

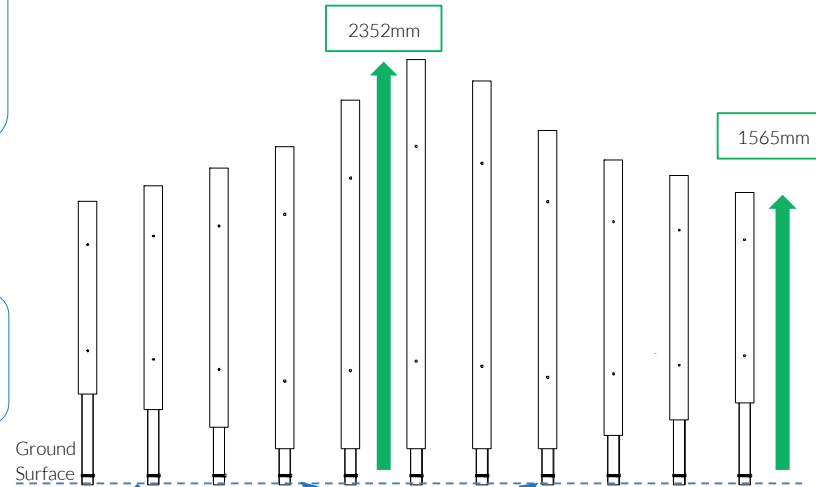
2. Locate Chimes to desired location and mark holes to fix to desired surface.

4. Fix to Surface using recommended ground anchors not supplied

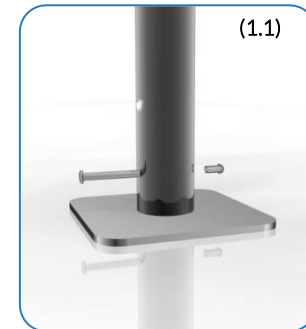
5. Make sure all fixings are covered and secure using cover caps provided



Install Instrument with 1.5m free space (from widest point) around it.



Beater Pole (1.1) Beater Pole



Surface Fix Components:

 x15
M10x50 Security Screw

 x15

 x60
2 Part Cover Cap

Spares available from percussionplay.com or from your local distributor

130 Kg

Ground Fix Post Installation

Tools:

 x2
TX 45 Driver Bit

Surface Fixed
Colossus Chimes
Page 2 of 2



Components:



x15



x15

M10x50 Security Screw

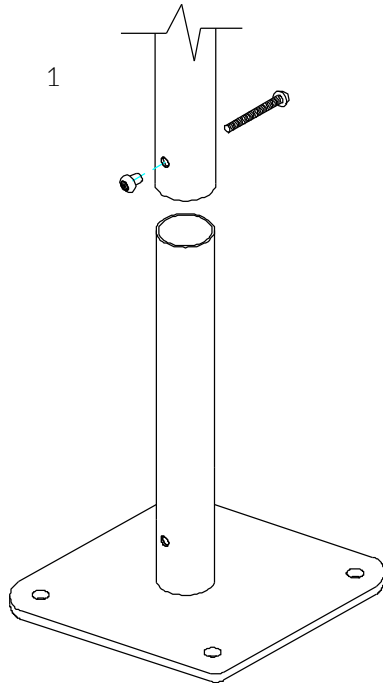


x60

2 Part Cover Cap

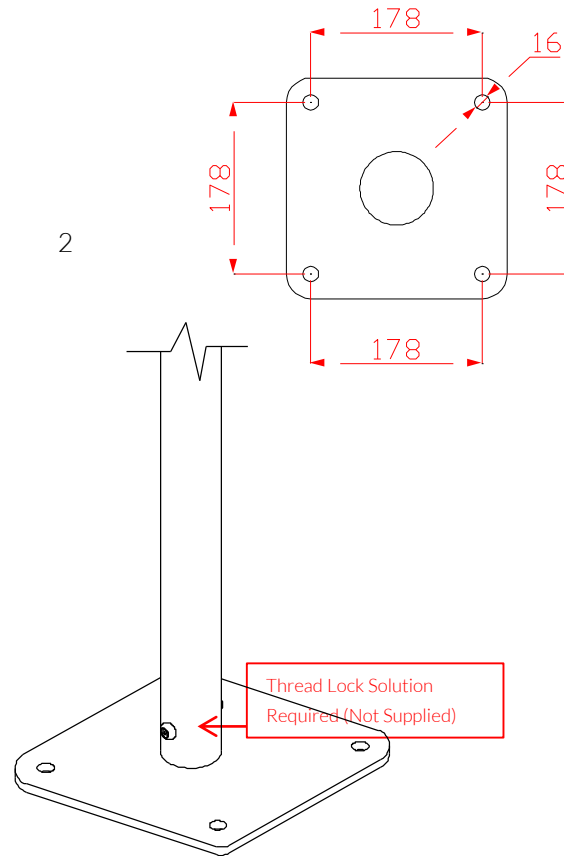
Thread Lock Solution
Required (Not Supplied)

1



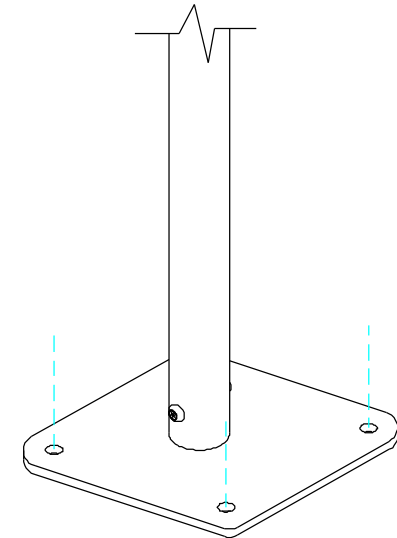
Locate the Surface fix Plate into the leg of the instrument.

2



Fix instrument to Surface fix plate using M10 bolt and Barrel Nut and use **thread locking solution** to prevent fixings working loose.

3



Fix Surface Plate to the ground surface **Ground Anchors Not provided** cover fixings with caps provided

Repeat Parts 1-3 for all 11 chimes an 2 beater poles



MADE IN
BRITAIN

BSEN 1176

Installation Instructions



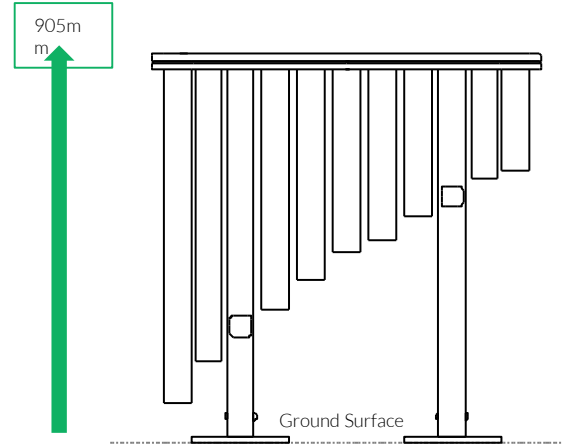
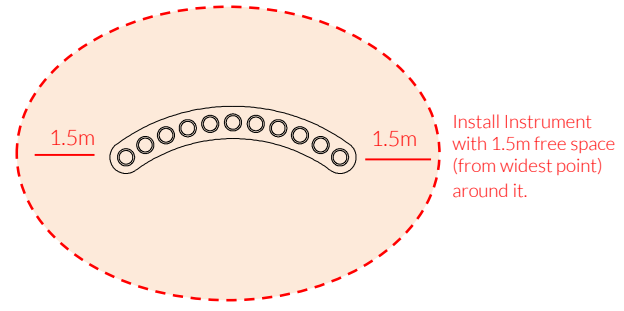
1. Handpipes will arrive on site assembled, Surface Fixings will need to be installed **(1.1)** (See Assembly Guide)

2. Attach Surface Fixing posts to legs (See Surface Fix Post Installation Sheet)

3. Locate Instrument in desired location and mark holes to fix to desired surface.

4. Fix to Surface using recommended ground anchors not supplied

5. Make sure all fixings are covered and secure using cover caps provided



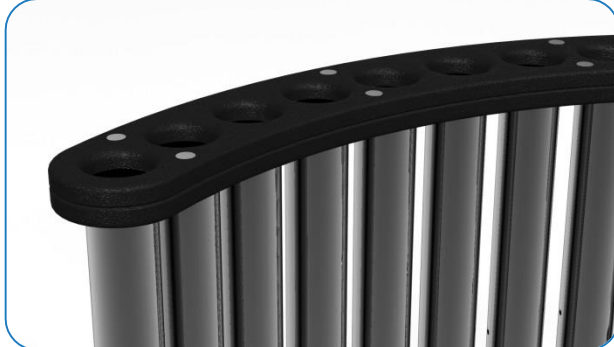
Surface Fixed

Handpipes
Page 1 of 3



Instrument Components:

Instrument assembled






Weight of heaviest part **20kg** (Handpipes)

Metric Conversion:
250mm/ 10"
400mm/ 16"
905mm/ 35"
1.5m/ 59"



Surface Fix Components:

-  x2
-  x2
-  x8

Ground Anchors not supplied

Spares available from percussionplay.com or from your local distributor

25 Kg

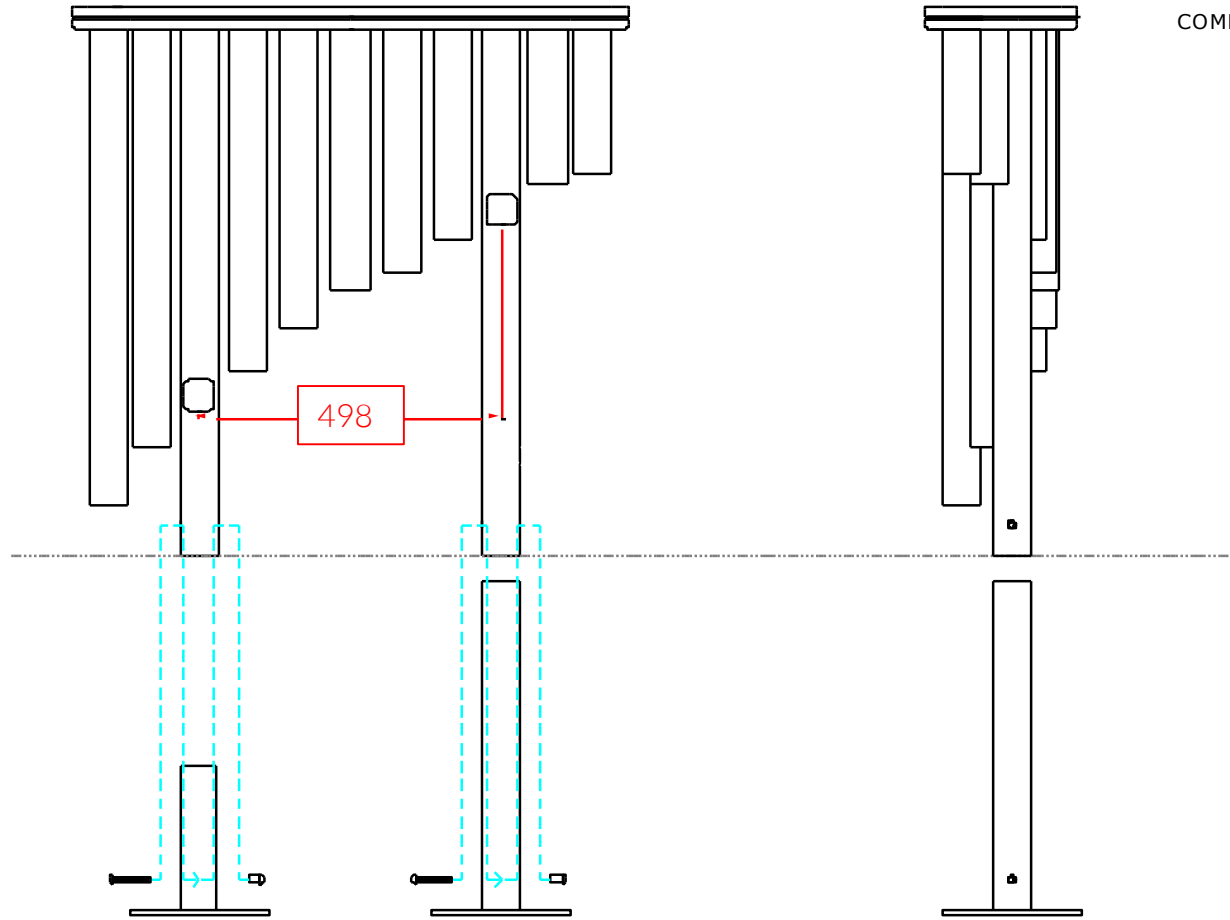
Surface Fixed

Handpipes
Page 2 of 3





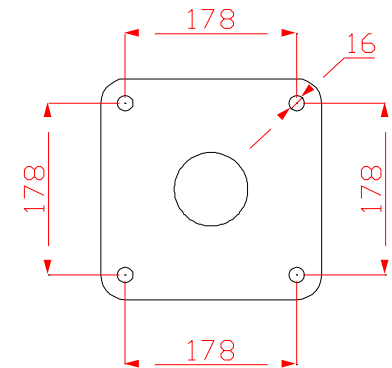
Instrument Components:

Instrument assembled



COMPONENTS LIST:




-  M10x50 Security Screw X2
-  M10 Barrel Nut X2



Thread Lock Solution
Required (Not Supplied)



Surface Fix
Components:

-  x2
-  x2
-  x8

Ground Anchors
not supplied

Spares available from
percussionplay.com or from your
local distributor

25 Kg

Tools:



Surface Fixed

Handpipes
Page 3 of 3



Components:



M10 Barrel Nut



M10x50 Security Screw

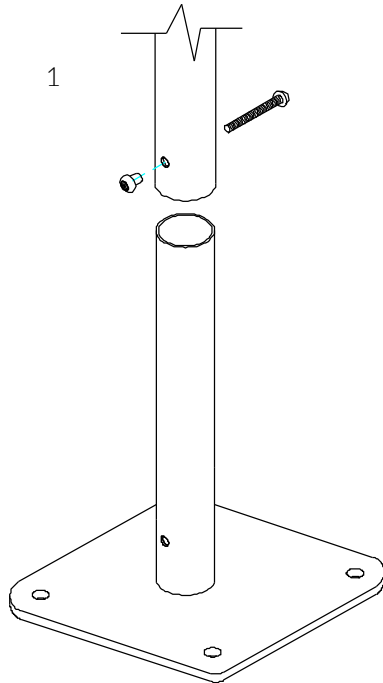


2 Part Cover Cap

Thread Lock Solution
Required (Not Supplied)

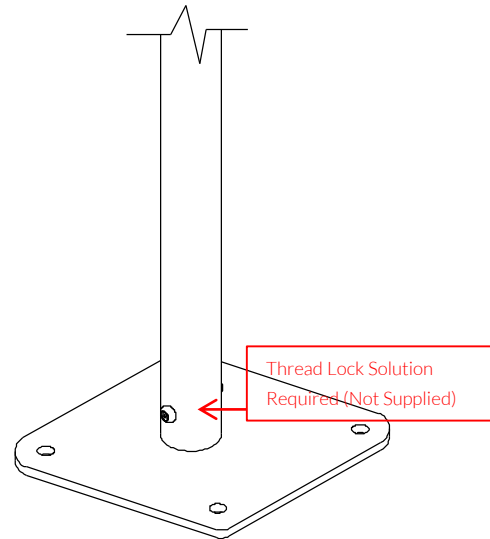
Metric
Conversion:
50mm/ 2"
250mm/ 10"
350mm/ 14"
400mm/ 16"
450mm/ 18"

1



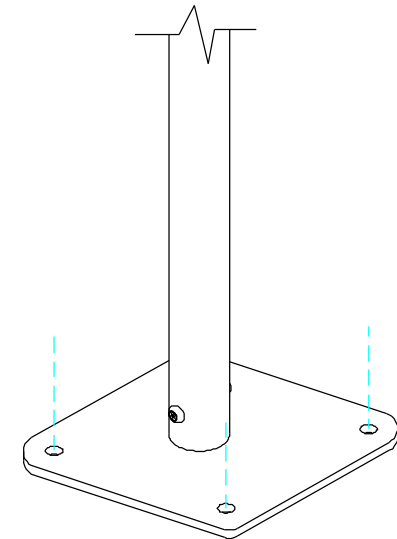
Locate the Surface fix Plate into the leg of the instrument.

2



Fix instrument to Surface fix plate using M10 bolt and Barrel Nut and use **thread locking solution** to prevent fixings working loose.

3

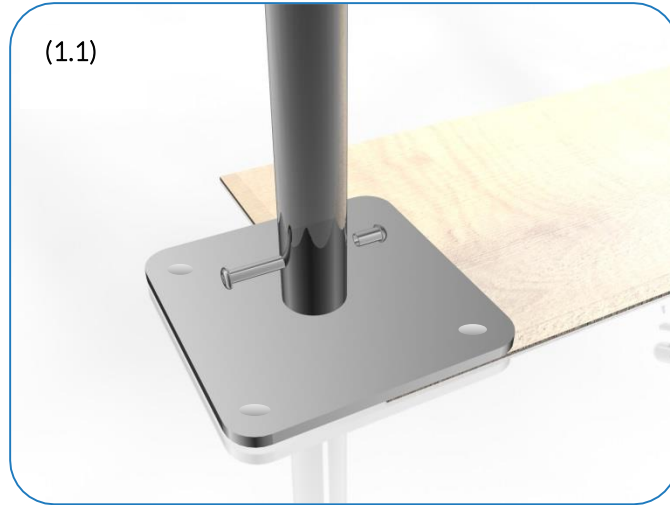


Fix Surface Plate to the ground surface **Ground Anchors Not provided** cover fixings with caps provided

Repeat Parts 1-3 for both legs



Installation Instructions



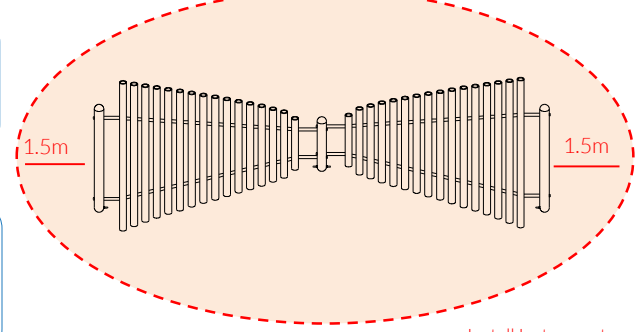
1. Attach Surface Plates to base of each leg. (1.1) (See Assembly Guide)

2. Use wooden jig to mark out hole positions for each of the 3 legs in desired location upon decision from customer. . .

3. Fix to Surface using recommended ground anchors (Ground Anchors are not supplied)

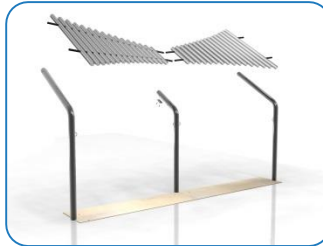
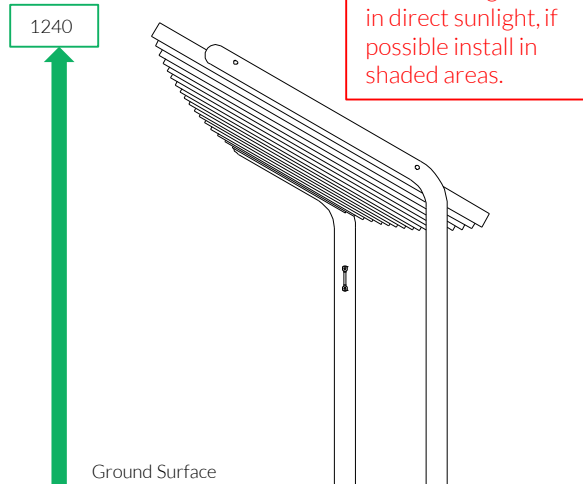
4. Make sure all fixings are covered and secure using cover caps provided

5. Once frame fixed in place install notes using Fixings provided. Finally install beaters using fixings provided. (See Assembly Guide)



Install Instrument with 1.5m free space (from widest point) around it.

CAUTION: Papilio surface can get hot in direct sunlight, if possible install in shaded areas.



Weight of heaviest part 13kg (Notes)

Surface Fixed

Papilio Bells
Page 1 of 2



Instrument Components:

- x4
- M8 Barrel Nuts
- x4
- Eye Straps
- x8
- x4
- M6x20mm Secure Screw
- M8 Square Nut
- x4
- x4
- M6x12mm Secure Screw
- M8 Nyloc Nut

Metric Conversion:
250mm/ 10"
550mm/ 22"
1240mm/ 49"
1.5m/ 59"



- Surface Fix Components:
- x3
 - x3
 - x12

Ground Anchors not supplied

Spares available from percussionplay.com or from your local distributor

36 Kg

Tools:

Surface Fixed

Papilio Bells
Page 2 of 2



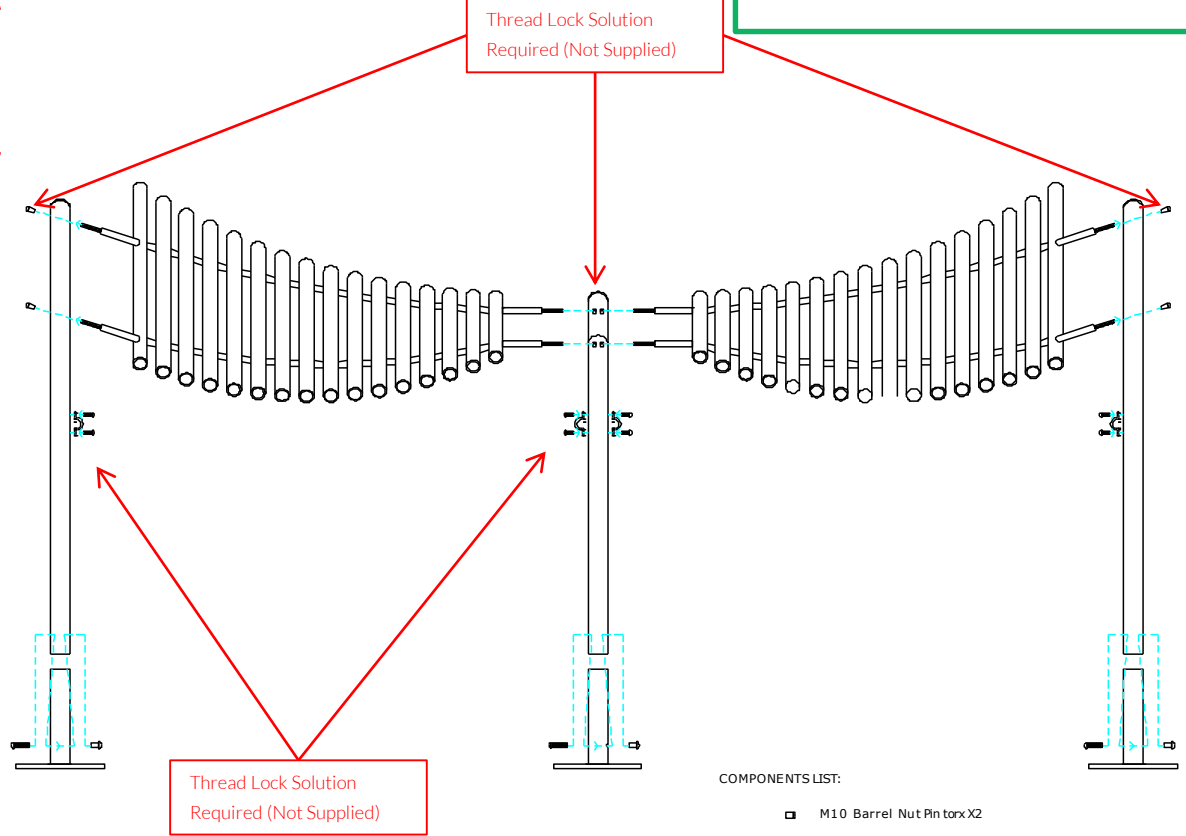
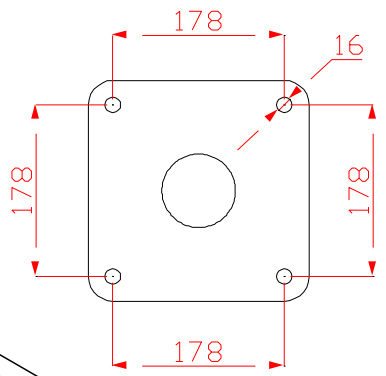
Attach notes to centre post using 2 access holes in leg



CAUTION: Papilio Bells surface can get hot in direct sunlight, if possible install in shaded areas.

- Instrument Components:
- M8 Barrel Nuts x4
 - Eye Straps x4
 - M6x20mm Secure Screw x8
 - M8 Square Nut x4
 - M6x12mm Secure Screw x4
 - M8 Nyloc Nut x4

Thread Lock Solution Required (Not Supplied)



- COMPONENTS LIST:
- M10 Barrel Nut Pin torx X2
 - Saddle Strap X4
 - M6x20 Pin torx X8
 - M8 Barrel Nut Pin torx X4
 - M8 Nyloc nut X4
 - M6x12 Pin torx X4
 - 2 Part Cover Cap X12
 - M10x40 Pin torx X3



Pair Small Red Beaters X2

- Surface Fix Components:
- M10x40 Security Screw x3
 - M10 Barrel Nut x3
 - 2 Part Cover Cap x12

Ground Anchors not supplied

Spares available from percussionplay.com or from your local distributor

15 Kg