

Installation Instructions

Surface Fixed

Rainbow Trio Chimes
Pentatonic 6 Notes
Page 1 of 3



1. Carefully lay 2 x legs on a level surface and check distance between legs is equal. Line up pre drilled holes in the backboards with the holes in legs and ensure the instrument is aligned square with the legs. Fix in place using M8x40mm screws supplied (see installation guide)

2. Attach Surface Fixing posts to legs (See Surface Fix Post Installation Sheet)

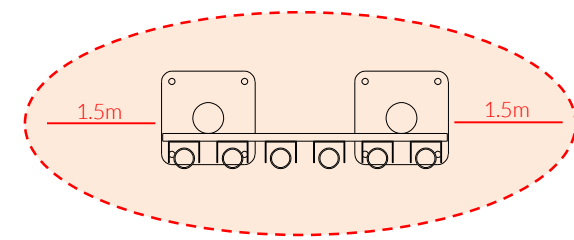
3. Locate Instrument in desired location and mark holes to fix to desired surface.

4. Fix Surface Plate to level surface using Coachscrews, Rawlbolts, chemical anchors or similar as deemed appropriate by Installer.

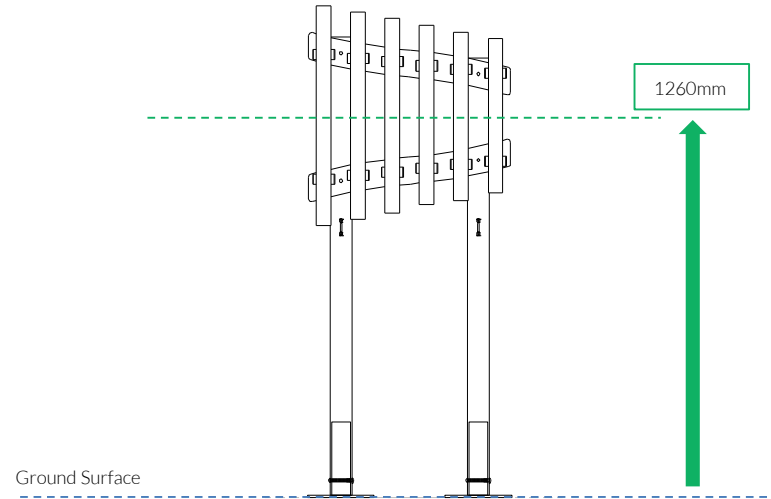
(It is your responsibility to ensure that the existing surface is suitable to receive the appropriate fixing)

5. Make sure all fixings are covered and secure using cover caps provided

6. Beaters can be fixed to Steel posts with fixings provided



Install Instrument with 1.5m free space (from widest point) around it.



Weight of heaviest part 8.35kg (Freechimes)

Components:



Eye Straps X2



M6x20mm Secure Screw X4



M8x40mm Secure Screw X4

Metric Conversion:
1260mm/ 49 39/64"
1.5m/ 59"



Pair Small Beaters X1

Surface Fix Components:



2 Part Cover Cap x8



M10 Barrel Nut x2



M10x70 Security Screw x2

Spares available from percussionplay.com or from your local distributor

16 Kg

Tools:

TX 30 Driver Bit x1
TX 45 Driver Bit x2

Surface Fixed
Rainbow Trio Chimes
Pentatonic 6 Notes
Page 2 of 3

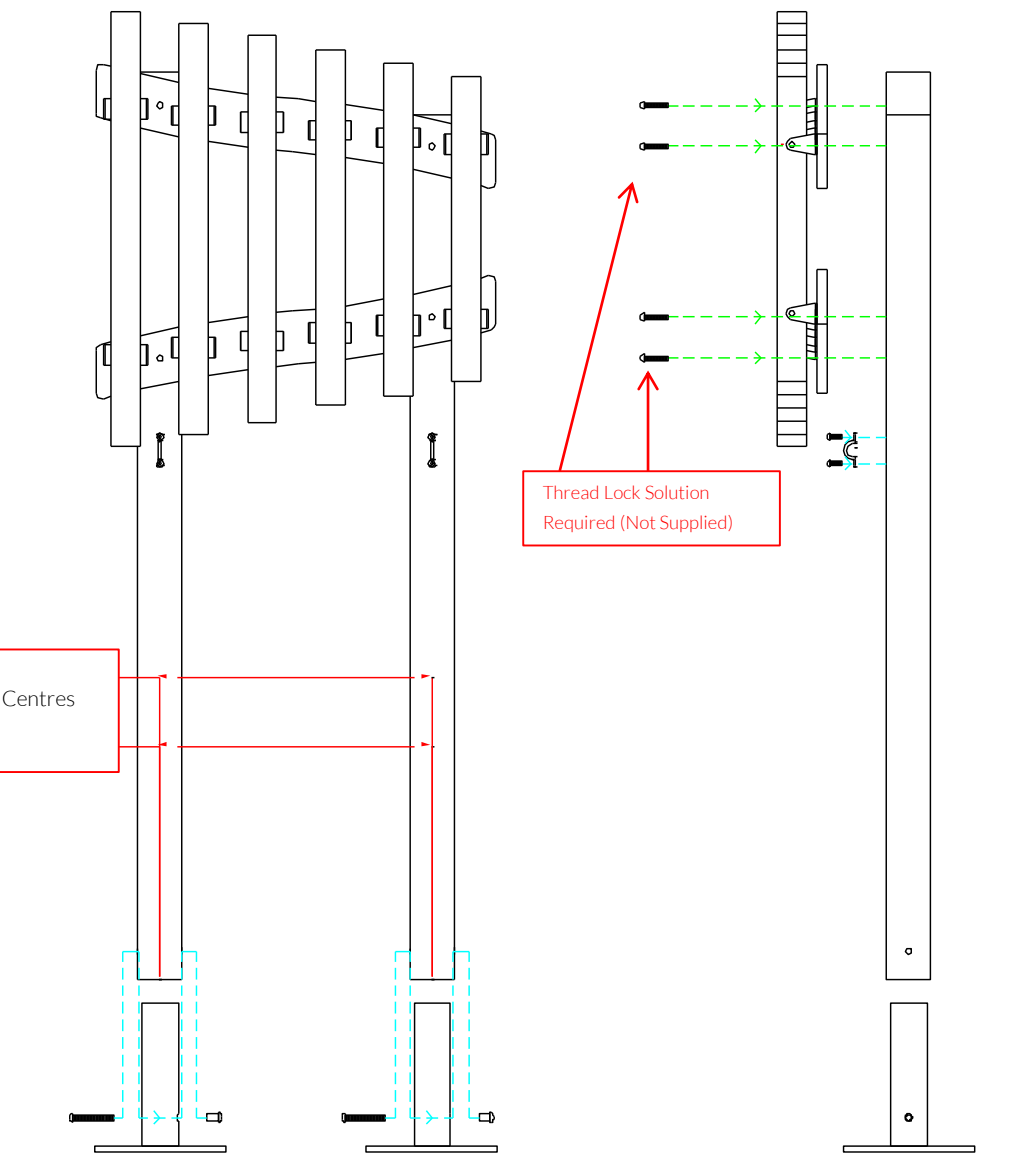


Components:

- Eye Straps X2
- M6x20mm Secure Screw X4
- M8x40mm Secure Screw X4

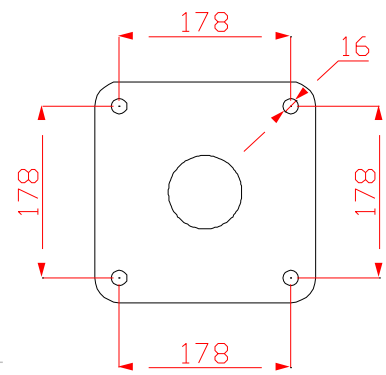
472mm Pentatonic 6 Note Post Centres

Thread Lock Solution Required (Not Supplied)



Thread Lock Solution Required (Not Supplied)

- COMPONENTS LIST:**
- Saddle Strap X2
 - M6x20 Pin torx X4
 - M8x40 Pin Torx X4
 - M10x70 Pin torx X2
 - M10 Barrel Nut Pin torx X2



Pair Small Beaters X1

Surface Fix Components:

- 2 Part Cover Cap x8
- M10 Barrel Nut x2
- M10x70 Security Screw x2

Spares available from percussionplay.com or from your local distributor

16 Kg

Tools:

 x2
TX 45 Driver Bit

Surface Fixed
Rainbow Trio Chimes
Pentatonic 6 Notes
Page 2 of 3



Components:



x2

M10 Barrel Nut



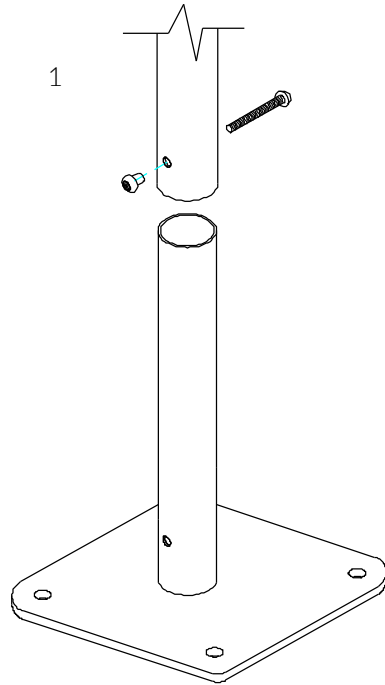
x2

M10x70 Security Screw

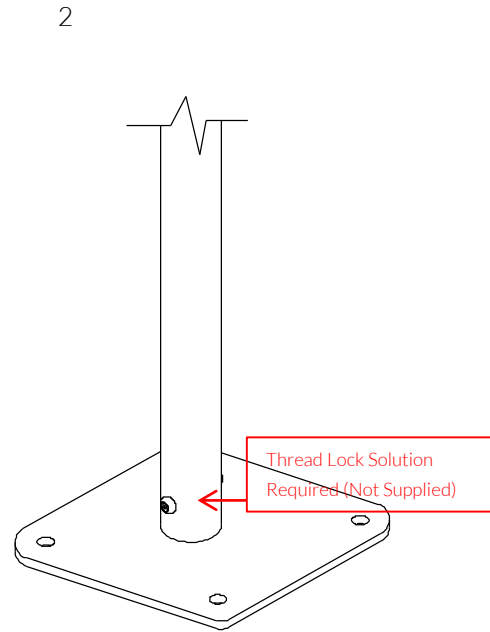


x8

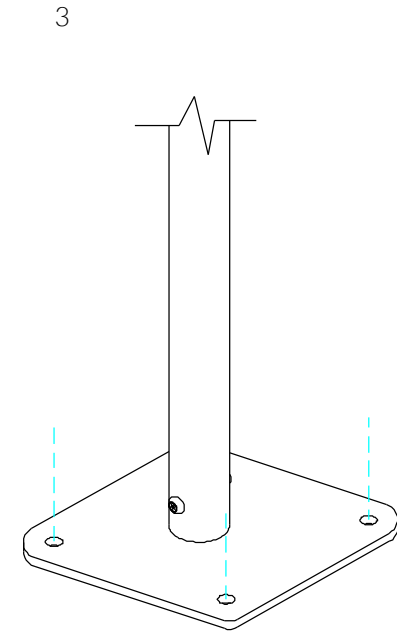
2 Part Cover Cap



Locate the Surface fix Plate into the leg of the instrument.



Fix instrument to Surface fix plate using M10 bolt and Barrel Nut and use **thread locking solution** to prevent fixings working loose.



Fix Surface Plate to the ground surface **Ground Anchors Not provided** cover fixings with caps provided

Thread Lock Solution
Required (Not Supplied)



MADE IN
BRITAIN

BSEN 1176