

# Rainbow Trio Bongos

## Product Assessment



Percussion Play Ltd, Staple Ash Lane,  
Froxfield, Petersfield, Hampshire, GU32 1DJ



Accredited Contractor  
CHAS.co.uk

The Play Inspection Company Ltd, Unit 5 Glenmoore Business Park, Blackhill Road, Holton Heath, Poole, Dorset, BH16 6NL

t: 01202 590675

e: [info@playinspections.co.uk](mailto:info@playinspections.co.uk)

w: [www.playinspections.co.uk](http://www.playinspections.co.uk)



# Rainbow Trio Bongos Risk Assessment

Assessment Date: 24<sup>th</sup> May 2019

Assessor: Keith Dalton

Manufacturer: Percussion Play Ltd

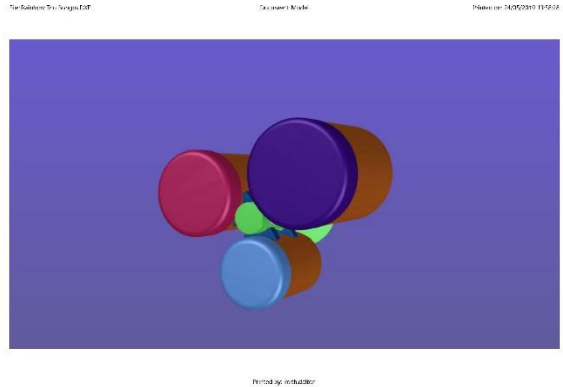
Risk Assessment: Very Low Risk

**Activity:** Use of musical playground equipment item

**Number of Persons at Risk:** Users, plus spectators

**Hazards Involved with the Activity:**

- Collision
- Entrapment



**Safety Measures/Controls:**

- All design requirements to comply fully with the requirements of BS EN 1176 Part 1 incorporating, where required, criteria from all sections of the standard where it is deemed applicable to the safety of this item.
- There are no falling height requirements for this type of equipment.
- The challenge (risk) associated with the use of the equipment is clearly foreseeable by the users.
- Age range: the intended age range for this item of equipment is for children of 3 years of age and above.
- A circulation Area of 1.50 metres is recommended to allow free movement for spectators around the item without moving into the space required for the safe use of the equipment.
- Correct siting of the equipment item within the playground environment to ensure free passage of playground users around the area.
- Detailed inspection and maintenance procedures to be provided for the equipment providing guidance on allowable tolerances during normal operation.

**Risks remaining after the application of control measures:**

Collision

With all control measures applied there will still be a risk remaining of users colliding with the equipment or with other users. It is considered that this remaining risk is of no significance, or any different from similar equipment item that incorporates this type of movement.

Given the provision of the safety measures detailed the remaining risk is considered to be 1 x 2 VERY LOW RISK

**Additional Controls Required:**

None

**Risk Rating:**

Likelihood		Severity	
1	Very Unlikely	1	Minor abrasion, light bruising
2	Not Very Likely	2	Small cuts, light sprains, more severe abrasion
3	Will happen at some time	3	Deep cuts, severe sprains etc. requiring medical intervention
4	Likely to happen	4	Injury requiring medical intervention and hospitalisation
5	Almost Certain to Happen	5	Permanent disability/death

Risk Score	Description	Action Required
1 – 5	Very Low Risk	Maintain control measures
6 – 10	Low Risk	Review control measures
11 – 15	Moderate Risk	Improve control measures
16 – 20	High Risk	Prevent access to item
21 – 25	Very High Risk	Remove from site

To establish the risk score, multiply Likelihood by Severity

**Controls Adequate:**

Signed: *KR Dalton*

Date: 24<sup>th</sup> May 2019

The Play Inspection Company Ltd

Assessment Review Date: 24<sup>th</sup> May 2020



# Installation Instructions

**1. Attach bongos to wall mount with the M10x50 security screws, square washers and PU mounts. (1.1) (See Assembly Guide)**

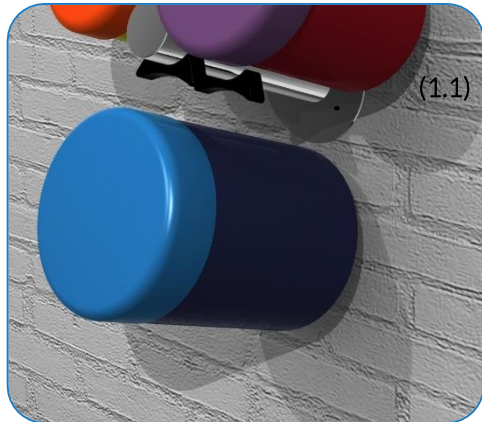
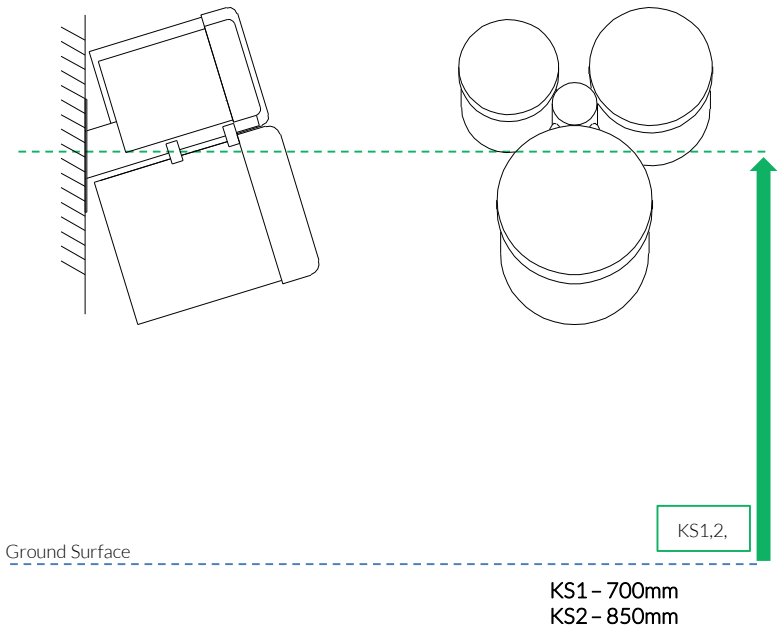
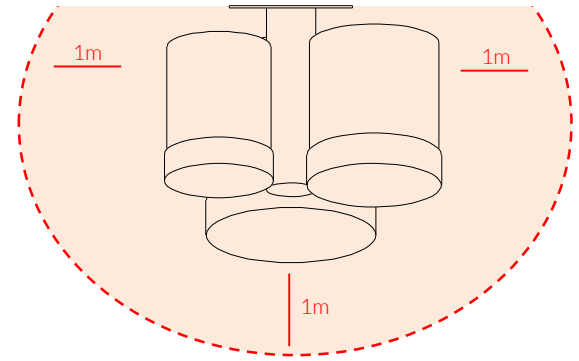
**2. Position Bongos in desired location, according to correct Key stage height, this may require 2 persons.**

**3. Mark hole locations (X3) on** Using mount plate as a guide, making sure instrument is level. **Use Template supplied**

**4. Drill hole locations (X3) according to your chosen fixings** (frame fixings, wall bolts or chemical anchors) depending of the structure of the wall.

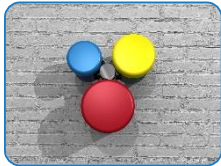
**5. Fix through Plate (X3) with suitable fixings** (not supplied) in correct orientation and Key stage

Install Instrument with 1m free space (from widest point) around it.







## Wall Mounted

Rainbow Trio Bongos  
1 of 2



### Instrument Components:

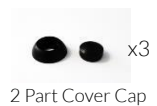
-  x6
-  x6
-  x4
-  x2

Metric Conversion:  
700mm/ 28"  
850mm/ 33"  
1m/ 39"

Weight of heaviest part 7 kg (bongos)



Wall Fix Components:



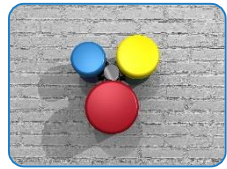
Wall Anchors not supplied

Tools:

 x1
   
 TX 45 Driver Bit

## Wall Mounted

Rainbow Trio
   
 Bongos
   
 2 of 2



Instrument Components:



x6

M10x50 Security Screw



x6

M10x50x3 Square washer



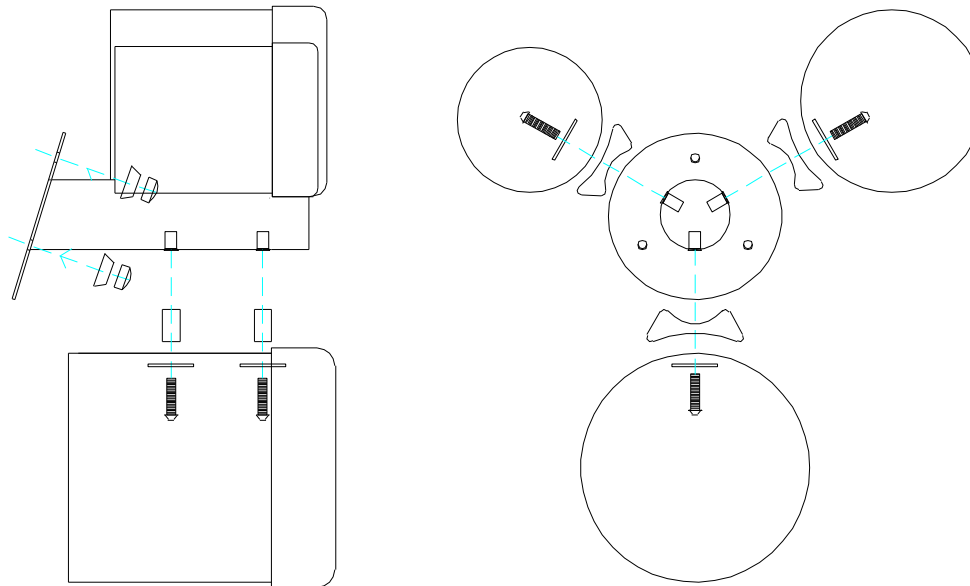
x4

PU 200 Mount



x2

PU 250 Mount



## COMPONENTS LIST:



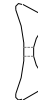
M10x50 Pin torx X6



M10x50x3 square washer X6



HDPE MOUNT 200 X4



HDPE MOUNT 250 X2



2 Part Cover Cap X3



Played with hands

Wall fixings are not supplied, installer will select suitable method of fixing. Suggested Fixing M8-M10 Rawl Bolt



Spares available from [percussionplay.com](http://percussionplay.com) or from your local distributor

7 Kg

## Certificate of Conformity

Issue date: 24th May 2019

**Percussion Play Ltd**  
Staple Ash Lane  
Froxfield  
Petersfield  
Hampshire  
GU32 1DJ



### Products covered:

Rainbow Trio Bongos

The product detailed has been assessed as conforming to the main dimensional requirements of BS EN 1176:2017 based on technical drawings provided by the manufacturer

The desktop product assessments undertaken by the Play Inspection Company Ltd are not a formal certification as would be produced by an accredited test house. They are an indication of conformity based on drawings and dimensional information provided by the client.

We will check the major dimensional requirements as set out in the current standards for playground equipment (BS EN 1176 – Parts 1-6, 10 & 11 as applicable to the product assessed. These dimensions include such things as barrier heights, platform heights, free height of fall, head and neck entrapment etc. but will exclude finer detail such as finger entrapment and toggle entrapments as these cannot be fully assessed based on a drawing alone. We do not undertake any structural assessment or testing, that element remains the responsibility of the designer; nor do we assess the suitability of materials used in the construction.

### Reference Standards

BS EN 1176:2017 Part 1

Assessed by: Keith Dalton

### The Play Inspection Company

Unit 5, Glenmore Business Park  
Blackhill Road  
Holton Heath  
Poole  
Dorset  
BH16 6NL

