

Installation Instructions

1. Attach Petal Drum to wall mounts with the M8 x 25 security screws and PU Inserts. Attach Beaters to saddle straps before wall mounting (1.1) (See Assembly Guide)

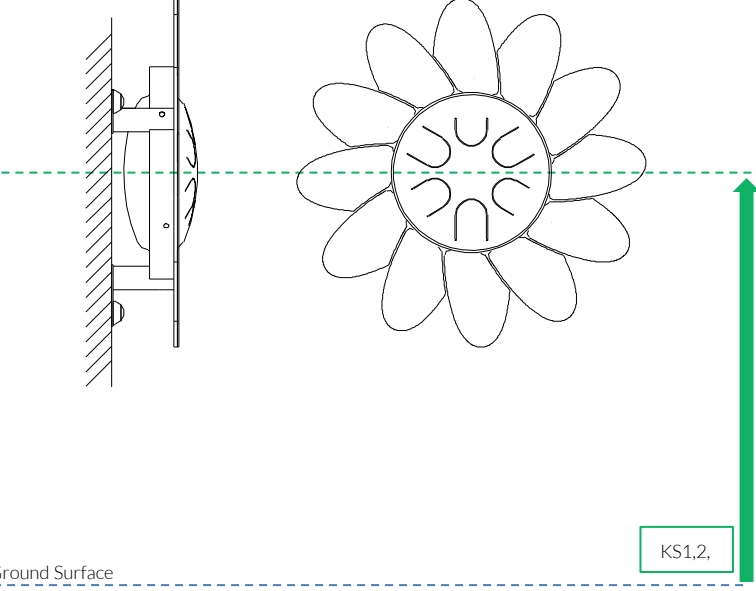
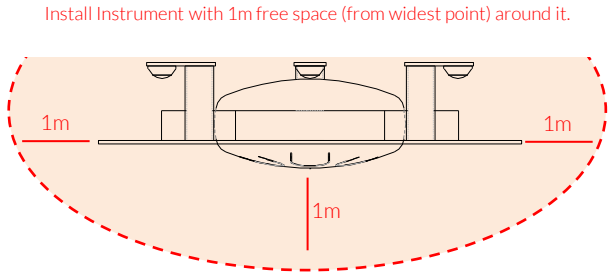


2. Position Instrument in desired location, according to correct Key stage height, this may require 2 persons.

3. Mark hole locations (X3) on surface, making sure instrument is level.

4. Drill hole locations (X3) according to your chosen fixings (frame fixings, wall bolts or chemical anchors) depending of the structure of the wall.

5. Fix through Plate (X3) with suitable fixings (not supplied) in correct orientation and Key stage



Keep installation height under 1m from ground surface

KS1 – 700mm
KS2 – 850mm

Wall Mounted
Petal Drum
Page 1 of 2



Instrument Components:

-  x4
-  x2
-  x3



Metric Conversion:
700mm/ 28"
850mm/ 33"
1m/ 39"

Weight of heaviest part 9 kg (petal drum)



Wall Fix Components:



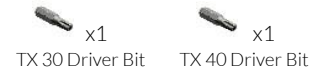
Wall Anchors not supplied



Spares available from percussionplay.com or from your local distributor

11 Kg

Tools:



Wall Mounted

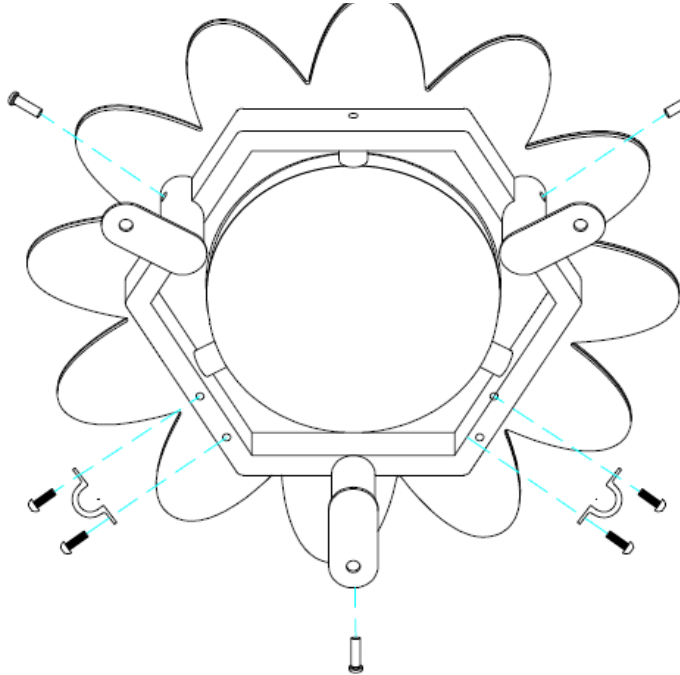
 Petal Drum

 Page 2 of 2



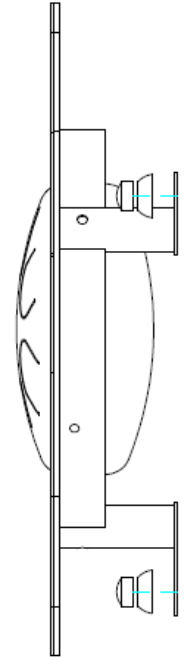
Instrument Components:

-  x4
M6x20 Security Screw
-  x2
M6 Saddle Strap
-  x3
M8x30 Security Screw



COMPONENTS LIST:

-  M8x30 Pin torx X3
-  Saddle Strap X2
-  M6x20 Pin torx X4
-  2 Part Cover Cap X3



Pair Small Black Beaters X1

Wall fixings are not supplied, installer will select suitable method of fixing. Suggested Fixing M8-M10 Rawl Bolt



Spares available from percussionplay.com or from your local distributor

11 Kg