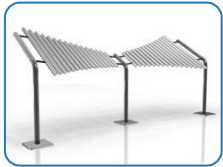


Installation Instructions

Surface Fixed

Papilio Bells
Page 1 of 2



Instrument Components:

x4

M8 Barrel Nuts

x4

M6 Saddle Straps

x8 x4

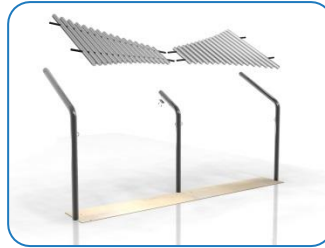
M6x20mm Secure Screw M8 Square Nut

x4 x4

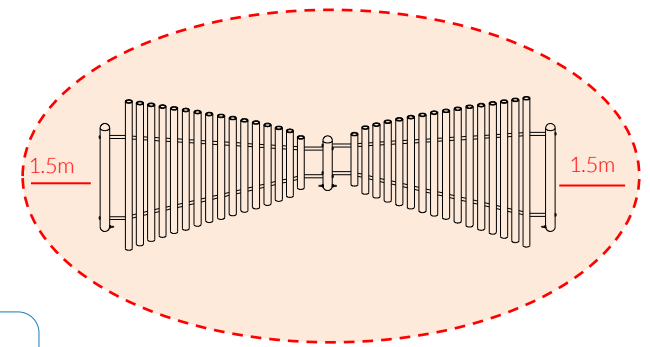
M6x12mm Secure Screw M8 Nyloc Nut

Metric Conversion:
250mm/ 10"
550mm/ 22"
1240mm/ 49"
1.5m/ 59"

(1.1)



Weight of heaviest part **13kg** (Notes)



Install Instrument with 1.5m free space (from widest point) around it.

1. Attach Surface Plates to base of each leg. **(1.1)** (See Assembly Guide)

2. Use wooden jig to mark out hole positions for each of the 3 legs in desired location upon decision from customer.

3. Fix to Surface using recommended ground anchors **(Ground Anchors are not supplied)**.

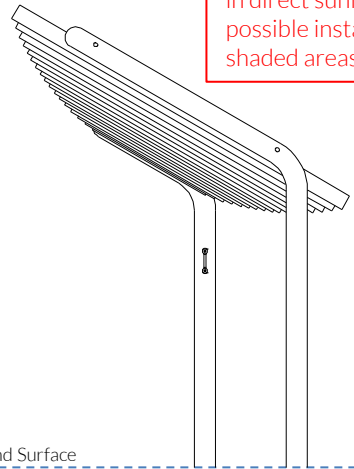
4. Make sure all fixings are covered and secure using cover caps provided.

5. Once frame fixed in place install notes using Fixings provided. Finally install beaters using fixings provided. **(See Assembly Guide)**

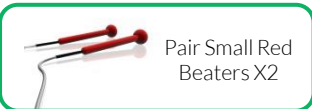
1240



Ground Surface



CAUTION: Papilio surface can get hot in direct sunlight, if possible install in shaded areas.



Pair Small Red Beaters X2

Surface Fix Components:

x3

x3

x12

Ground Anchors not supplied



Spares available from percussionplay.com or from your local distributor

36 Kg

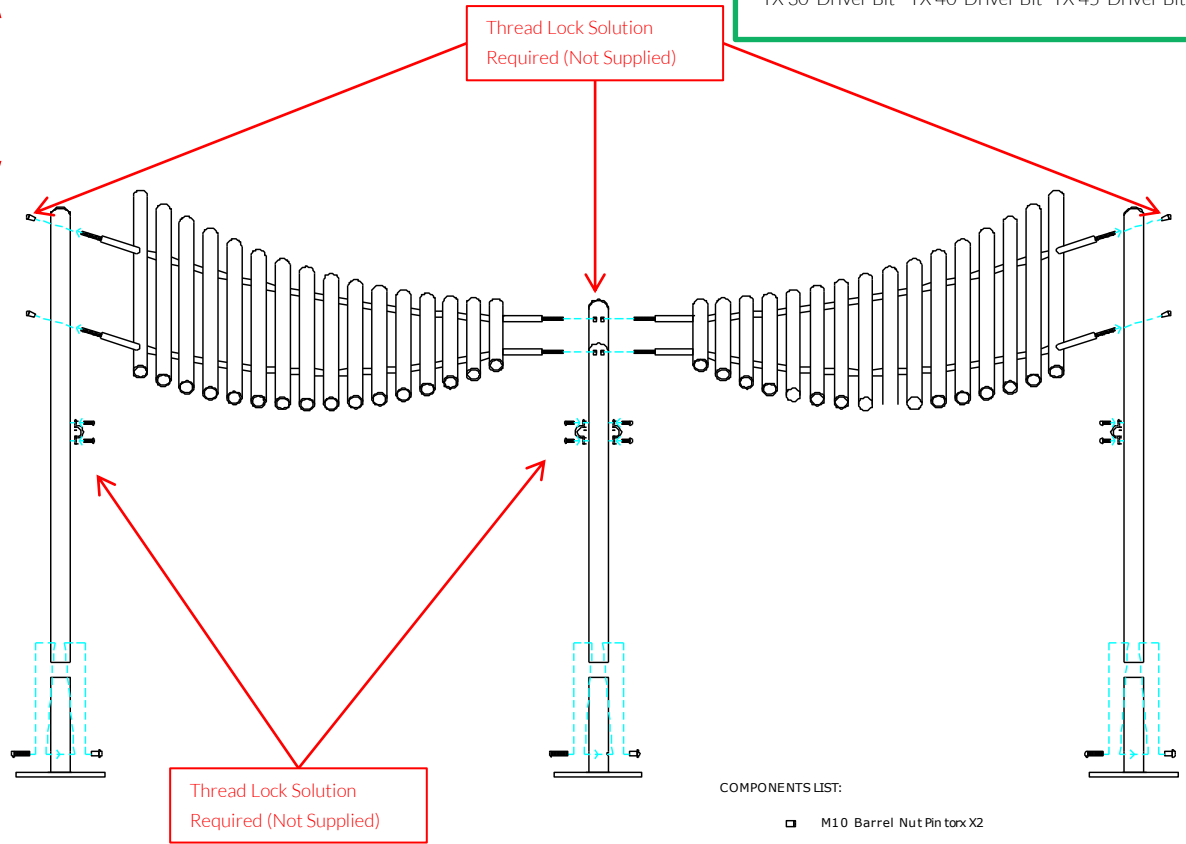
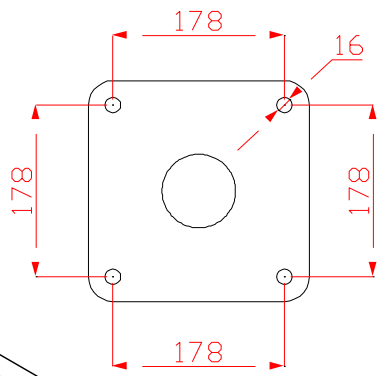
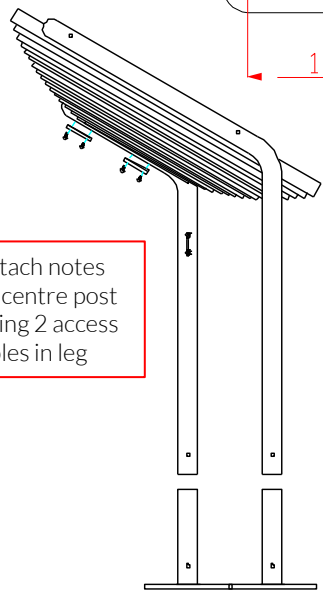
Tools:

Surface Fixed
Papilio Bells
Page 2 of 2



- Instrument Components:
- x4
M8 Barrel Nuts
 - x4
M6 Saddle Strap
 - x8 x4
M6x20mm Secure Screw M8 Square Nut
 - x4 x4
M6x12mm Secure Screw M8 Nyloc Nut

Attach notes to centre post using 2 access holes in leg



CAUTION: Papilio Bells surface can get hot in direct sunlight, if possible install in shaded areas.

- COMPONENTS LIST:
- M10 Barrel Nut Pin torx X2
 - Saddle Strap X4
 - M6x20 Pin torx X8
 - M8 Barrel Nut Pin torx X4
 - M8 Nyloc Nut X4
 - M6x12 Pin torx X4
 - 2 Part Cover Cap X12
 - M10x40 Pin torx X3

Thread Lock Solution Required (Not Supplied)



- Surface Fix Components:
- x3
 - x3
 - x12

Ground Anchors not supplied



Spares available from percussionplay.com or from your local distributor

36 Kg