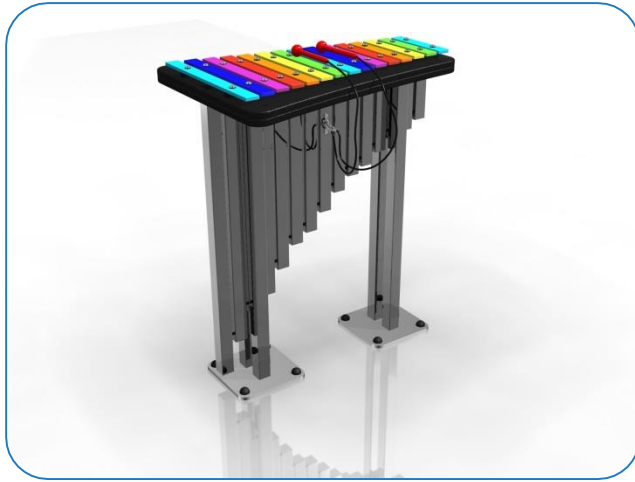


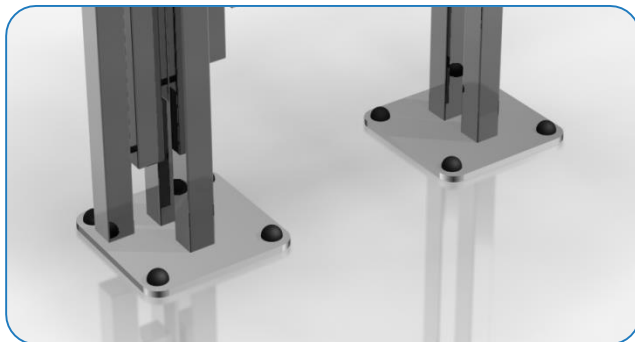
# Installation Instructions

## Surface Fixed

Capella  
Page 1 of 3



Metric Conversion:  
250mm/ 10"  
300mm/ 12"  
450mm/ 18"  
930mm/ 36"  
1.5m/ 59"



Weight of heaviest part **15kg** (Resonators)

1. Attach the steel legs to the resonators assembly of the instrument with the M8x60 security screws and lock washers. **(See Assembly Guide)**

2. Attach Surface Fixing Plates to base of Resonator Assembly **(See Surface Fix Post Installation Sheet)**

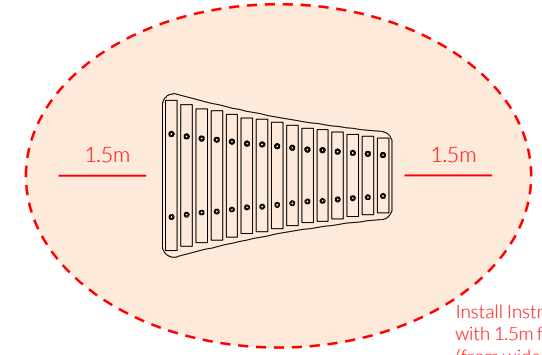
3. Attach the Resonator assembly to the underside to the note assembly by locating plate into pre cut recess using CSK Screws and Barrel Nuts provided **(See Assembly Guide)**

4. Locate Instrument in desired location and mark holes to fix to desired surface.

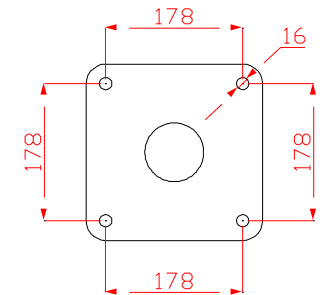
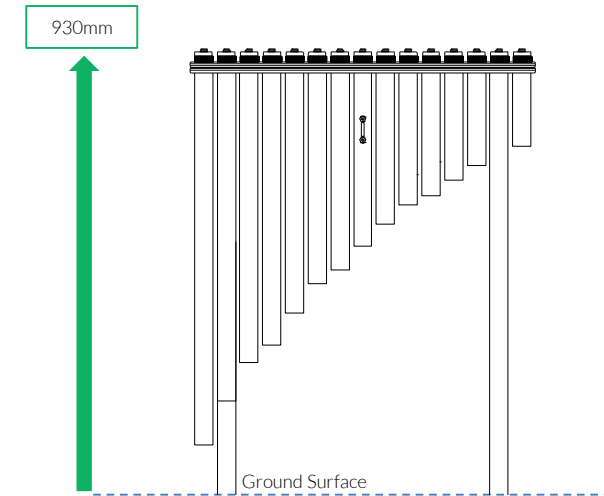
5. Fix to Surface using recommended ground anchors not supplied

6. Make sure all fixings are covered and secure using cover caps provided

7. Attach the 1 pair of beater to the saddle strap on the leg. **(1.3)**



Install Instrument with 1.5m free space (from widest point) around it.



Pair Small Red Beaters X2

Surface Fix Components:



M10x30 Security Screw x4





2 Part Cover Cap x8

**Ground Anchors not supplied**

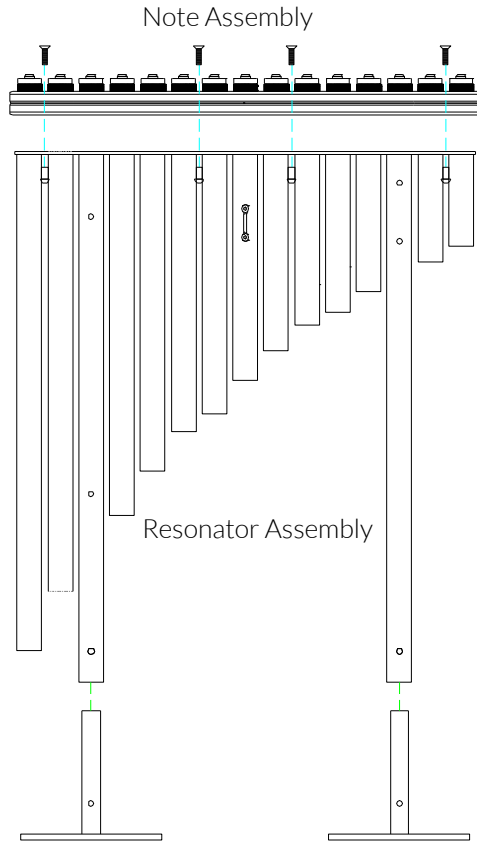
Spares available from [percussionplay.com](http://percussionplay.com) or from your local distributor

**30 Kg**

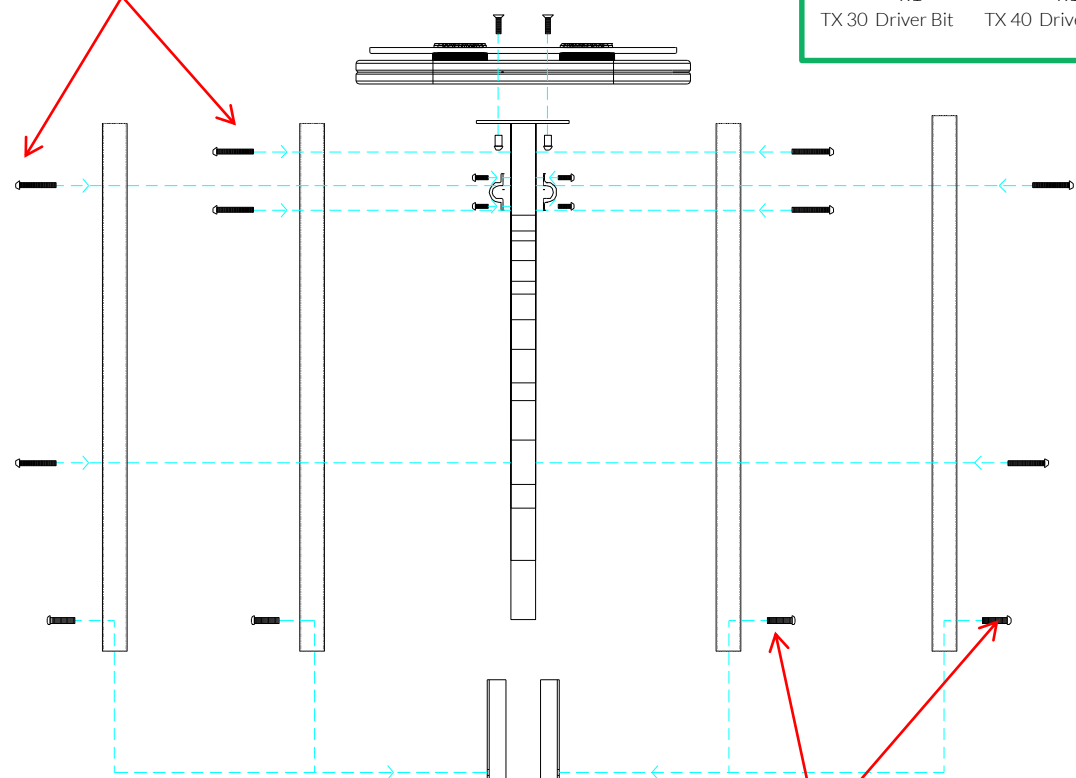
**Tools:**

 x1  
 x1  

TX 30 Driver Bit    TX 40 Driver Bit



Thread Lock Solution  
Required (Not Supplied)



Thread Lock Solution  
Required (Not Supplied)

**COMPONENTS LIST:**

-  M8x60 Pin torx X8
-  M8 Barrel Nut Pin torx X8
-  M8x30 CSK Pin torx X8
-  Saddle Strap X2
-  M6x20 Pin torx X4
-  M10x30 Pin torx X4

**Surface Fixed**

Capella  
Page 2 of 3



**Instrument Components:**

-  x8  
M8x30 CSK Security Screw
-  x8  
M8x60 Security Screw
-  x4  
M6x20 Security Screw
-  x2  
M6 Saddle Strap
-  x8  
M8 Barrel Nut

Thread Lock Solution  
Required (Not Supplied)




Pair Small Red Beaters X2

**Surface Fix Components:**

 x4  

M10x30 Security Screw

 x8  

2 Part Cover Cap

Ground Anchors  
not supplied

Spares available from  
[percussionplay.com](http://percussionplay.com) or from your  
local distributor

30 Kg

Tools:

x1  
TX 45 Driver Bit

## Surface Fixed

Capella  
Page 3 of 3



### Components:



x4

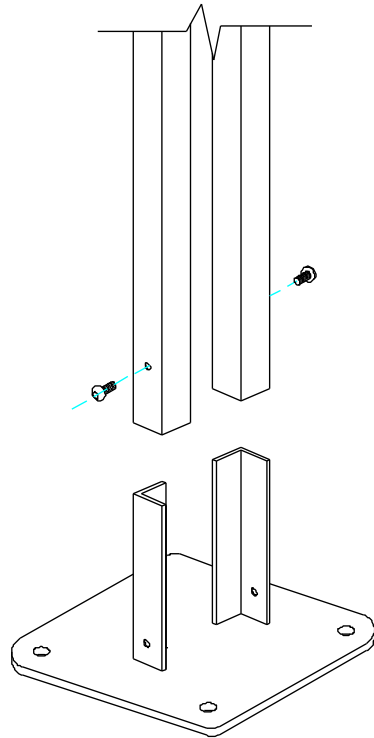
M10x30 Security Screw



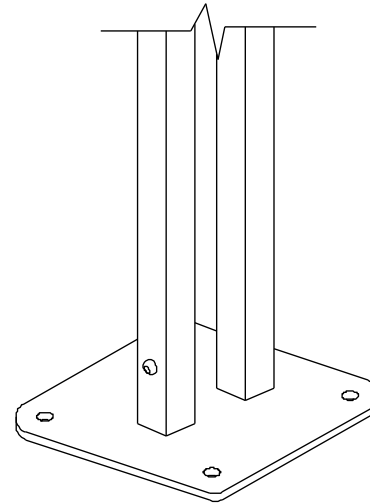
x8

2 Part Cover Cap

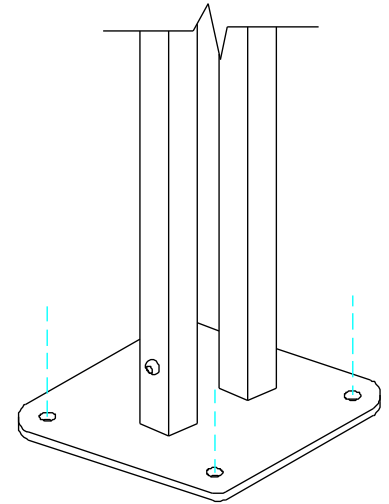
Thread Lock Solution  
Required (Not Supplied)



Insert Surface Plates into  
bottom of square legs



Fix instrument to Surface  
fix plates using M10 x  
30mm Screws using  
**thread locking solution**  
to prevent fixings working  
loose.



Fix Surface Plates to the  
ground surface **Ground  
Anchors Not provided**  
cover fixings with caps  
provided



MADE IN  
BRITAIN

BSEN 1176