

Installation Instructions

Surface Fixed

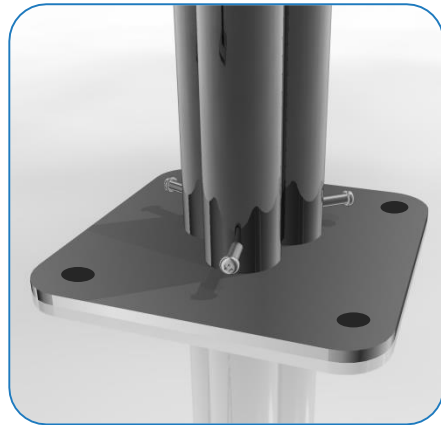
Babel Drum
Page 1 of 2



Instrument Components:



Metric Conversion:
850mm/ 33 15/32"
855mm/ 33 21/32"
1.5m/ 59"



Weight of heaviest part **17.5kg** (Large Babel Drum)
Weight of heaviest part **13.4kg** (Small Babel Drum)

1. Unpack ground fixing legs 3no.

2. Lay packaging out on floor or assemble on non-abrasive surface to prevent marking of polished stainless steel.

3. Align holes on legs to holes on surface fixing (opposite end to polished domes) and secure in place using 3no. M10 x 30mm Screws
Tools required TX 45 Driver Bit)

4. Invert assembled frame so domed ends face upwards.

5. Place 8mm Hex Key supplied into hole in leg and lock into internal bolt.

6. Remove Black Cap opposite side of leg and keeping Hex Key in place, slide black polyurethane damper over bolt until flush with end of bolt. Repeat for other 2 legs

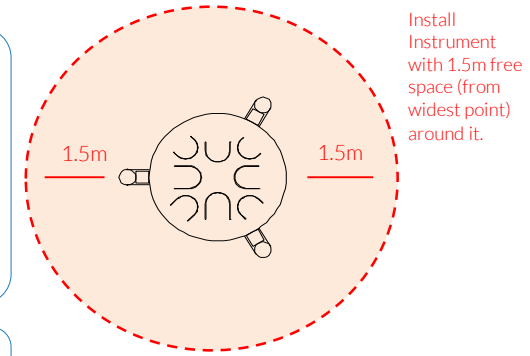
7. Unpack babel drum leaving black film in place to protect.

8. Align holes in side of babel drum with bolts on legs.

9. Using 8mm Hex Key screw bolts into drum to secure in place.
Use thread locking solution
All hole locations are laser cut for accuracy to ensure holes in drum align perfectly with legs.

10. Using TX40 driver provided secure M8 x 25mm security bolts into external holes in legs 3no. Use thread lock solution

11. Locate Babel Drum in desired location and mark holes to fix to desired surface.



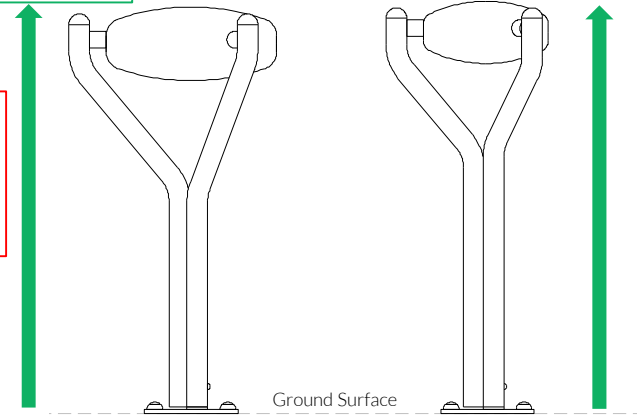
12. Fix to Surface using recommended ground anchors (**Ground Anchors are not supplied**)

13. Make sure all fixings are covered and secure using cover caps provided

850mm from Plate

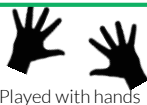
855mm from Plate

CAUTION: Drum surface can get hot in direct sunlight, if possible install in shaded areas.



Large 8 note

Small 6 note



Ground Fix Components:



Ground Anchors not supplied

Spares available from percussionplay.com or from your local distributor

22 Kg
13.4 Kg

Tools:

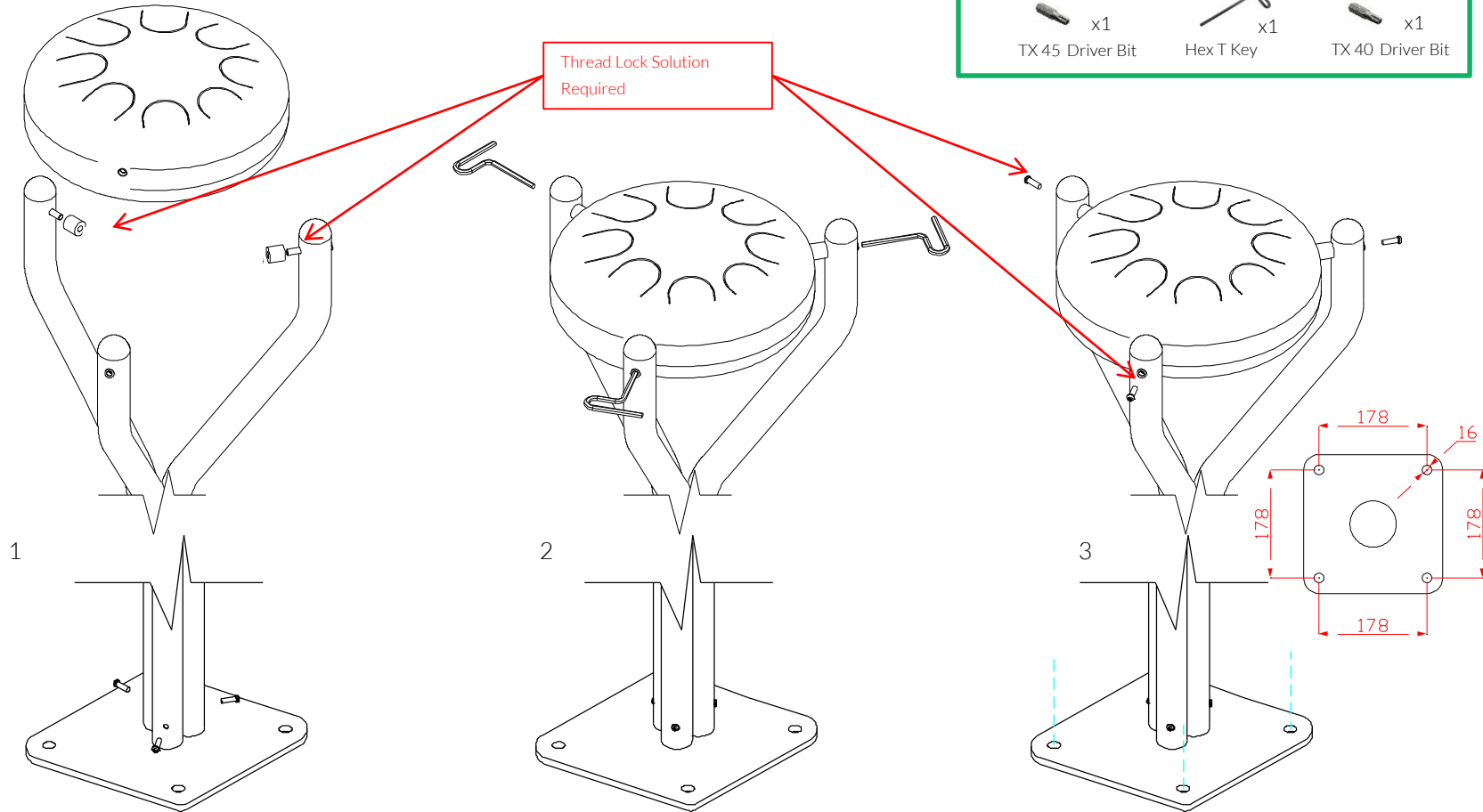
- TX 45 Driver Bit x1
- Hex T Key x1
- TX 40 Driver Bit x1

Surface Fixed

Babel Drum
Page 2 of 2



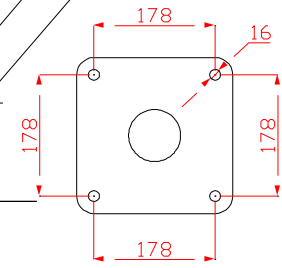
Instrument Components:



1

2

3



Thread Lock Solution
Required

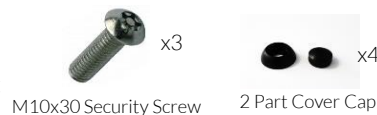
Locate the Surface fix Plate into the leg of the instrument.

Fix instrument to Surface fix plate using M10 Screws and use **thread locking solution** to prevent fixings working loose.

Fix Surface Plate to the ground surface **Ground Anchors Not provided** cover fixings with caps provided



Ground Fix Components:



Ground Anchors
not supplied

Spares available from percussionplay.com or from your local distributor

22 Kg
13.4 Kg

Installation Instructions

Surface Fixed

Bell Lyre
Page 1 of 2



Weight of heaviest part **14.4kg** (Bell Lyre)

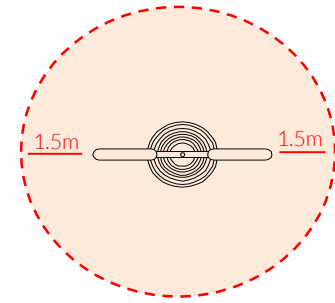
1. Attach Surface Fixing posts to legs (See Surface Fix Post Installation Sheet)

2. Locate Plate in desired location and mark holes to fix to desired surface.

3. Fix Surface Plate to level surface using Coachscrews, Rawlbolts, chemical anchors or similar as deemed appropriate by Installer.

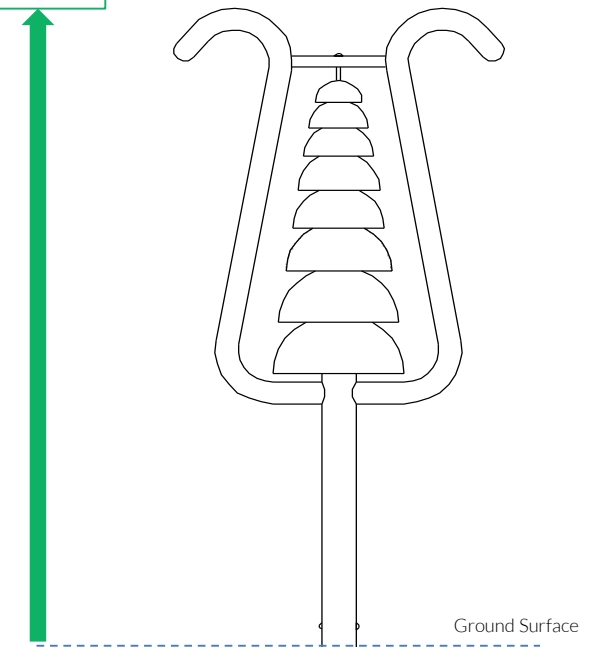
(It is your responsibility to ensure that the existing surface is suitable to receive the appropriate fixing)

4. Make sure all fixings are covered and secure using cover caps provided



Install Instrument with 1m free space (from widest point) around it.

1525mm



Ground Surface

CAUTION: Bell Lyre surface can get hot in direct sunlight, if possible install in shaded areas.



Pair Small Red Beaters X1

Ground Fix Components:



2 Part Cover Cap x4



x1



x1

M10x70 Security Screw M10 Barrel Nut

Ground Anchors not supplied

Spares available from percussionplay.com or from your local distributor

23.5 Kg

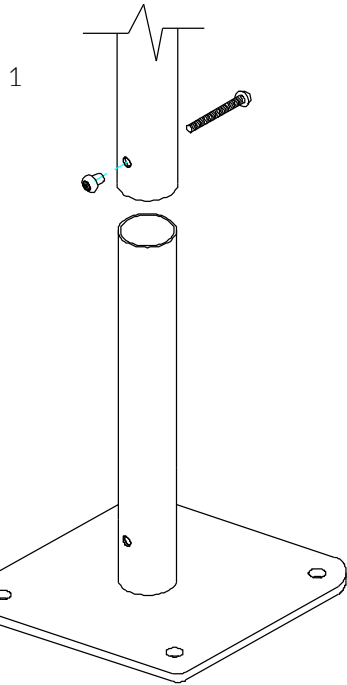
Surface Fix Post Installation

Tools:

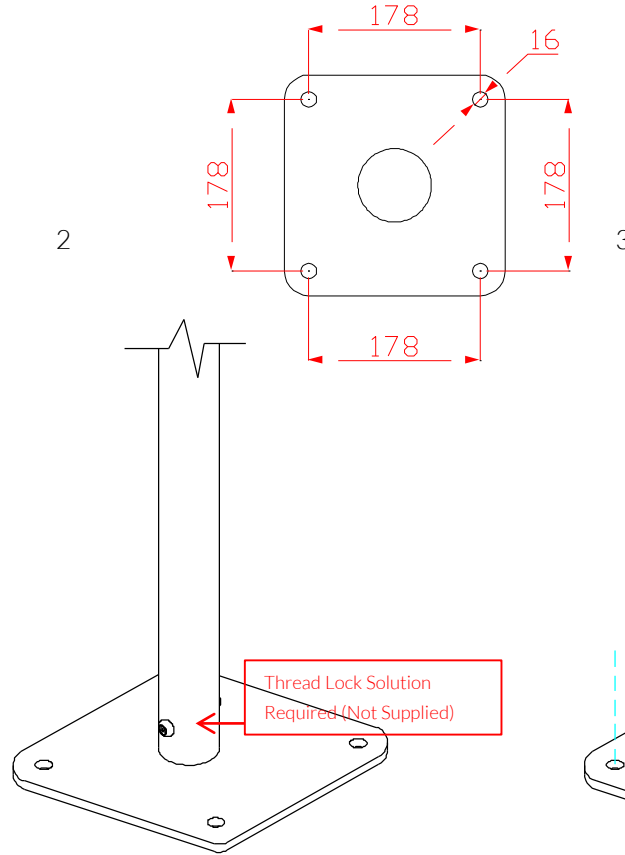
 x2
TX 45 Driver Bit

Surface Fixed

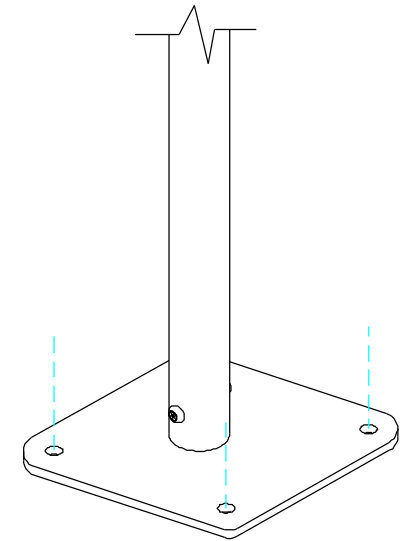
Bell Lyre
Page 2 of 2



Locate the Surface fix Plate into the leg of the instrument.



Fix instrument to Surface fix plate using M10 bolt and Barrel Nut and use **thread locking solution** to prevent fixings working loose.



Fix Surface Plate to the ground surface **Ground Anchors Not provided** cover fixings with caps provided

Components:



x1

M10 Barrel Nut



x1

M10x70 Security Screw



x4

2 Part Cover Cap

Thread Lock Solution
Required (Not Supplied)



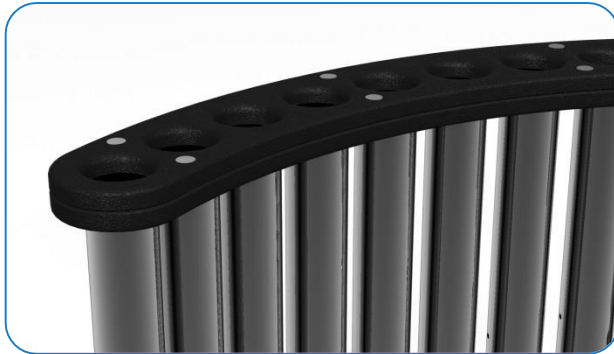
**MADE IN
BRITAIN**

BSEN 1176

Installation Instructions

Surface Fixed

Handpipes
Page 1 of 3



Weight of heaviest part 20kg (Handpipes)

Instrument Components:

Instrument assembled

Metric Conversion:
250mm/ 10"
400mm/ 16"
905mm/ 35"
1.5m/ 59"

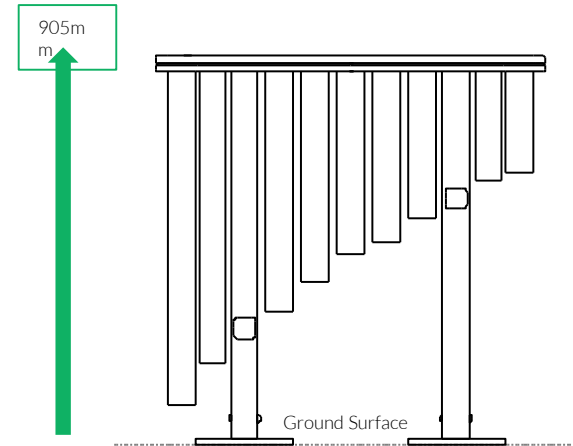
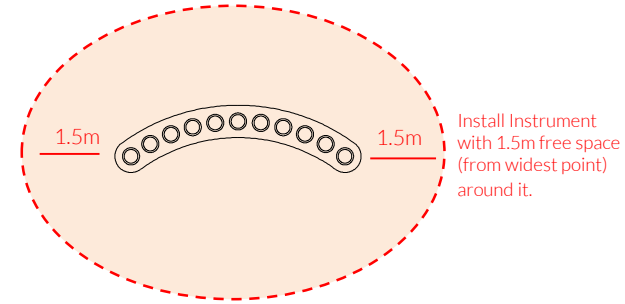
1. Handpipes will arrive on site assembled, Surface Fixings will need to be installed (1.1) (See Assembly Guide)

2. Attach Surface Fixing posts to legs (See Surface Fix Post Installation Sheet)



3. Locate Instrument in desired location and mark holes to fix to desired surface.

4. Fix to Surface using recommended ground anchors not supplied

5. Make sure all fixings are covered and secure using cover caps provided



Surface Fix Components:

-  x2
-  x2
-  x8

Ground Anchors not supplied

Spares available from percussionplay.com or from your local distributor

25 Kg

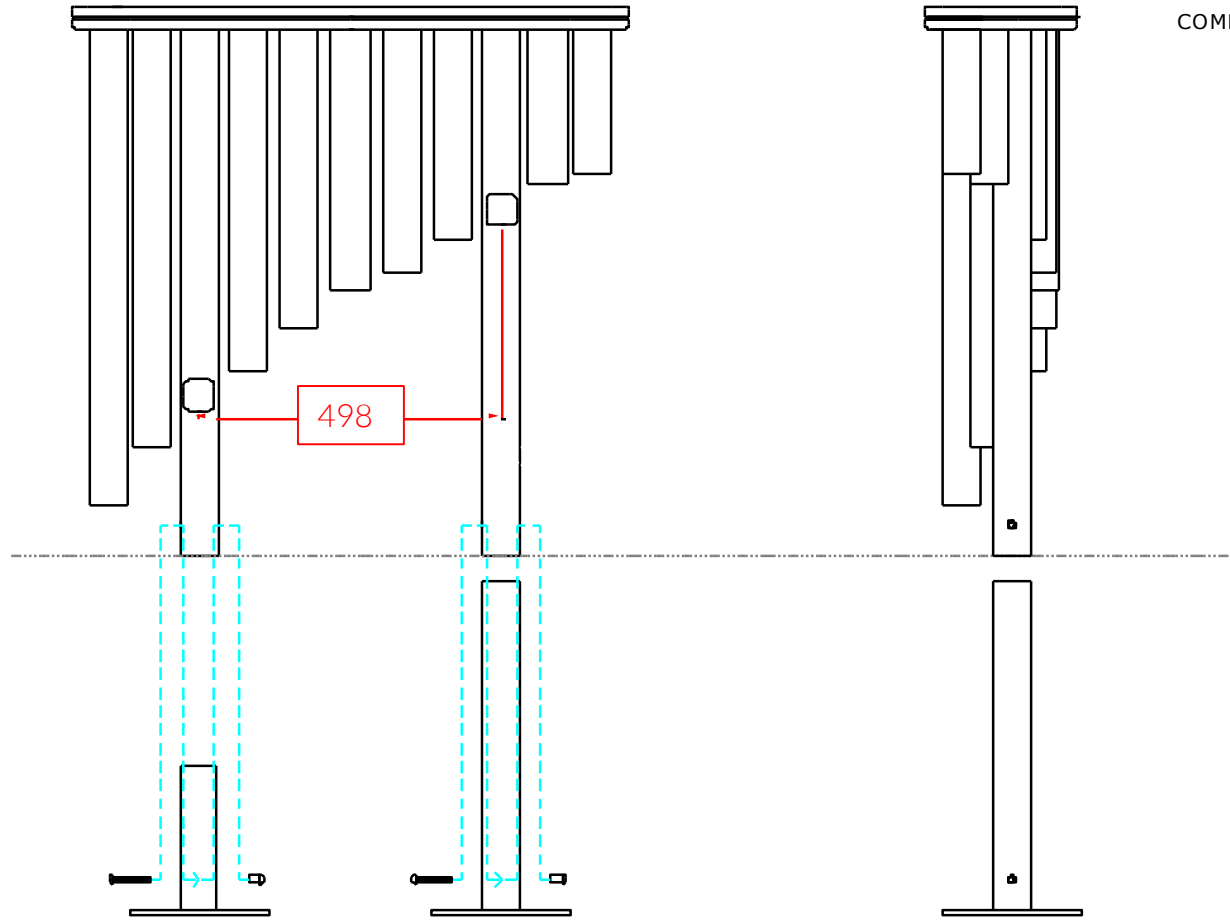
Surface Fixed

Handpipes
Page 2 of 3





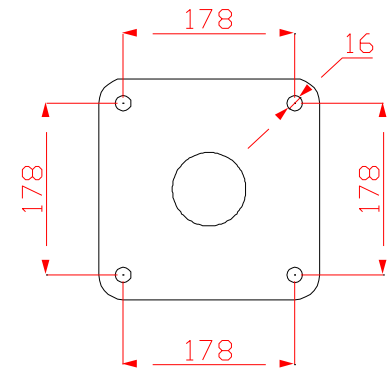
Instrument Components:

Instrument assembled



COMPONENTS LIST:




-  M10x50 Security Screw X2
-  M10 Barrel Nut X2



Thread Lock Solution
Required (Not Supplied)



Surface Fix
Components:

-  x2
-  x2
-  x8

Ground Anchors
not supplied

Spares available from
percussionplay.com or from your
local distributor

25 Kg

Tools:



Surface Fixed

Handpipes
Page 3 of 3



Components:



x2

M10 Barrel Nut



x2

M10x50 Security Screw



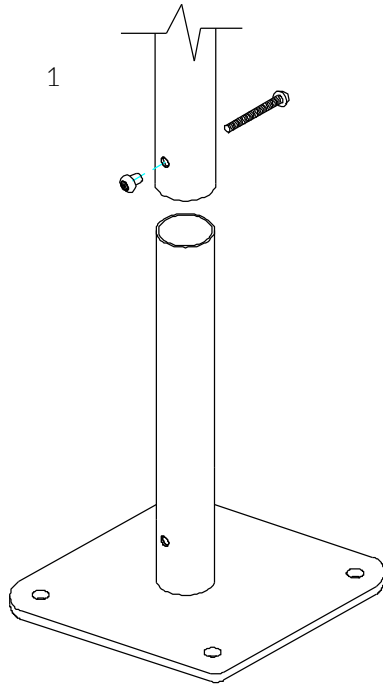
x8

2 Part Cover Cap

Thread Lock Solution
Required (Not Supplied)

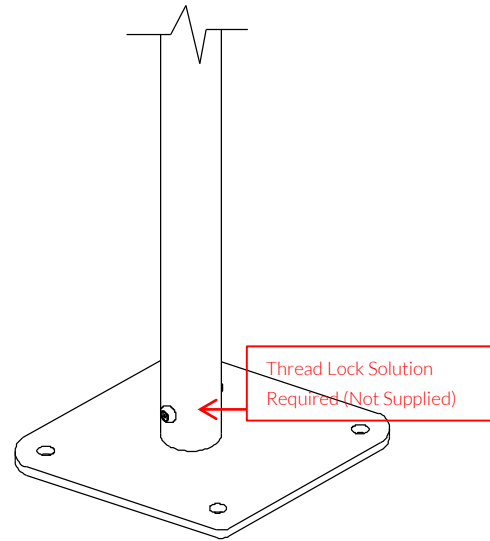
Metric
Conversion:
50mm/ 2"
250mm/ 10"
350mm/ 14"
400mm/ 16"
450mm/ 18"

1



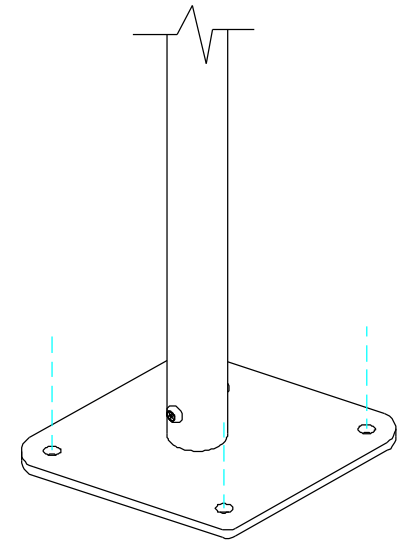
Locate the Surface fix Plate into the leg of the instrument.

2



Fix instrument to Surface fix plate using M10 bolt and Barrel Nut and use **thread locking solution** to prevent fixings working loose.

3



Fix Surface Plate to the ground surface **Ground Anchors Not provided** cover fixings with caps provided

Repeat Parts 1-3 for both legs



MADE IN BRITAIN

BSEN 1176

Installation Instructions

Surface Fixed Flat Pack Harmony Page 1 of 2



Weight of heaviest part **16kg** (Harmony Frame)

1. Unpack frame 3no.

2. Lay packaging out on floor or assemble on non-abrasive surface to prevent marking of polished stainless steel.

3. Align holes on legs (opposite end to polished domes) and secure in place using 3no. M10 x 200mm threaded bar and 6no. M10 nuts provided
Tools required 2no. 17mm metric spanner/wrench ($1\frac{1}{16}$ inch or alternatively using adjustable wrench)

4. Invert assembled frame so domed ends face upwards.

5. Insert M8x60mm Security screws into pre drilled holes in frame using TX40 bit.

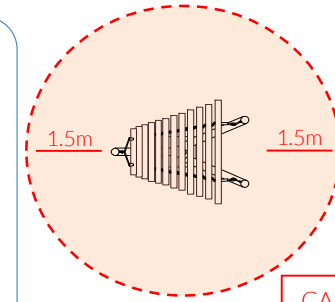
6. Attach Notes and Surface Plate to Harmony Frame. (See Assembly Guide Sheet)

7. Locate Harmony in desired location and mark holes to fix to desired surface.

8. Fix Surface Plate to level surface using Coachscrews, Rawlbolts, chemical anchors or similar as deemed appropriate by Installer.

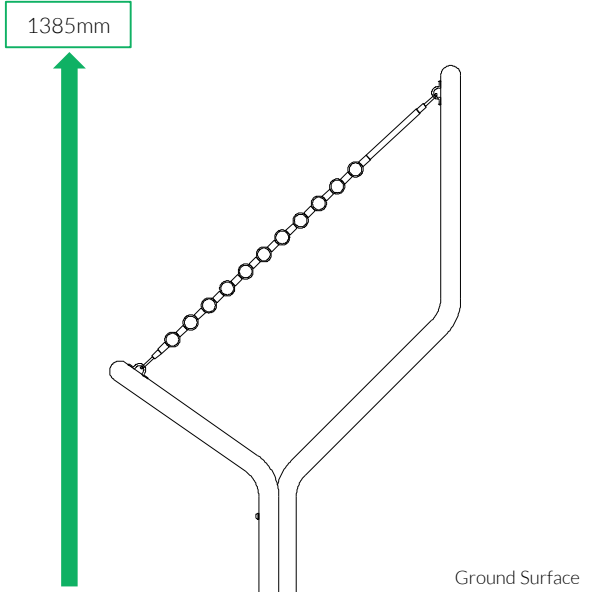
(It is your responsibility to ensure that the existing surface is suitable to receive the appropriate fixing)

9. Make sure all fixings are covered and secure using cover caps provided



Install Instrument with 1.5m free space (from widest point) around it.

CAUTION: Harmony surface can get hot in direct sunlight, if possible install in shaded areas.



Instrument Components:

M10 Nut



x6

M6x20 Security Screw



x3

M6 Saddle Strap

Metric Conversion:

178mm/ 7"
250mm/ 10"
400mm/ 16"
1385mm/ 55"
1.5m/ 59"



BS EN 1176



Pair Small Red Beaters X1

Surface Fix Components:



x2



x3



x4

M8x60 Security Screw M8x25 Security Screw 2 Part Cover Cap

Ground Anchors not supplied

Spares available from percussionplay.com or from your local distributor

20 Kg

Assembly Guide PPHARM



Surface Fixed
Harmony Flat Pack
Page 2 of 2

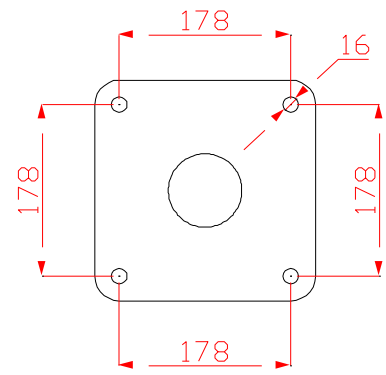
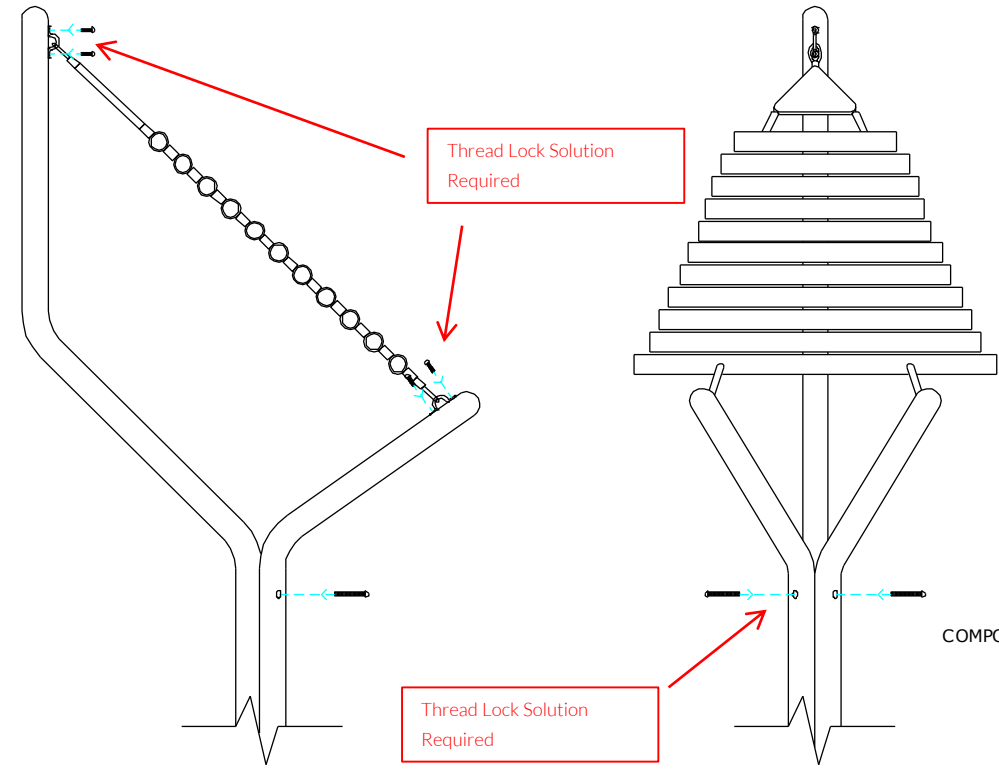


Instrument Components:

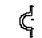




-  x6
M6x20 Security Screw
-  x3
M6 Saddle Strap

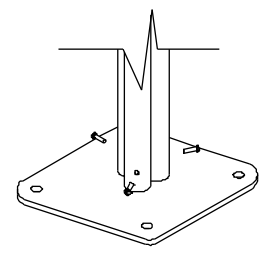
Tools:

-  x1
-  x1

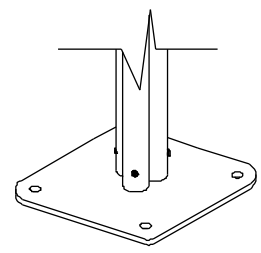


COMPONENTS LIST:

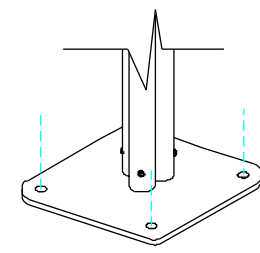
-  Saddle Strap X3
-  M6x20 Pin torx X6
-  M8x60 Pin torx X2
-  M8x25 Pin torx X3
-  2 Part Cover Cap X8



Locate the Surface fix Plate into the leg of the instrument.



Fix instrument to Surface fix plate using M8x25 Screws and use **thread locking solution** to prevent fixings working loose.




Fix Surface Plate to the ground surface **Ground Anchors Not provided** cover fixings with caps provided

CAUTION:
Harmony surface can get hot in direct sunlight, if possible install in shaded areas.

Thread Lock Solution Required

Ground Anchors not supplied



 Pair Small Red Beaters X1

Surface Fix Components:

-  x2
-  x3
-  x4

Spares available from percussionplay.com or from your local distributor

20 Kg

Installation Instructions

Tubular Bells will arrive on site pre assembled

Surface Fixed

Tubular Bells
Page 1 of 4

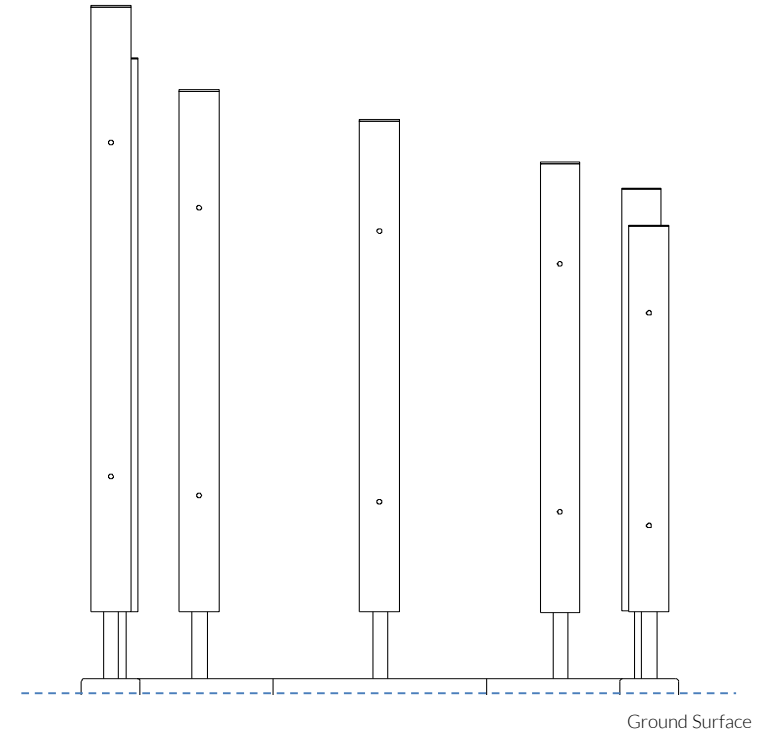


1. Locate Base in desired location before attaching the bells. Fix lower sections to surface using pre drilled holes provided. (**Surface Anchors Not supplied**) Recommended M10 Female Rawl Bolts or chemical anchors

2. Assemble Upper 3 Base sections using M8 x 16 mm CSK screws provided **(1.1)**

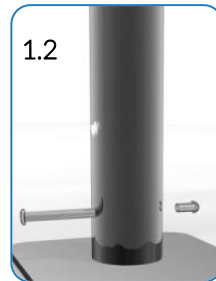
3. Using the M10x 40 screw and Barrel Nuts to attach each of the 9 legs to the base **(1.2)**

4. Make sure that all fixings are tightly secured and thread locking solution used if required.



Instrument Components:

Tubular Bells are pre-assembled




Weight of heaviest part **30kg** (ALU Base)



Pair Large Red Beaters X1



Surface Fix Components:

 x9
M10x40 Security Screw

 x9
M10 Barrel Nut

 x34
M8x16 CSK Security Screw

Tools:

 x1
 x2

TX 40 Driver Bit TX 45 Driver Bit

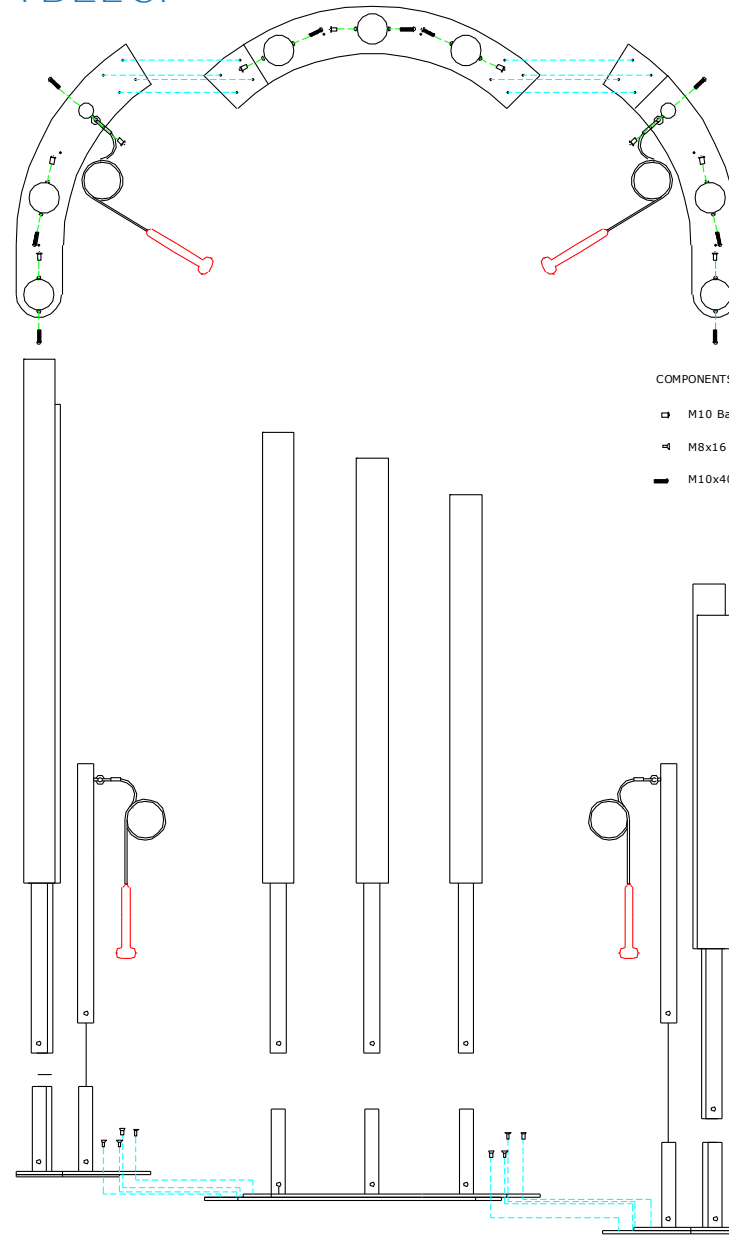
Surface Fixed

Tubular Bells
Page 2 of 4




Instrument Components:

Tubular Bells Are Pre-assembled






- COMPONENTS LIST:**
-  M10 Barrel Nut Pin torx X9
 -  M8x16 CSK Screw X34
 -  M10x40 Pin torx X9



Pair Large Red Beaters X1

Surface Fix Components:

-  x9
 -  x9
 -  x34
- M10x40 Security Screw M10 Barrel Nut M10x16 CSK Security Screw

Spares available from percussionplay.com or from your local distributor

90 Kg

Tools:

x1 TX 40 Driver Bit

x2 TX 45 Driver Bit

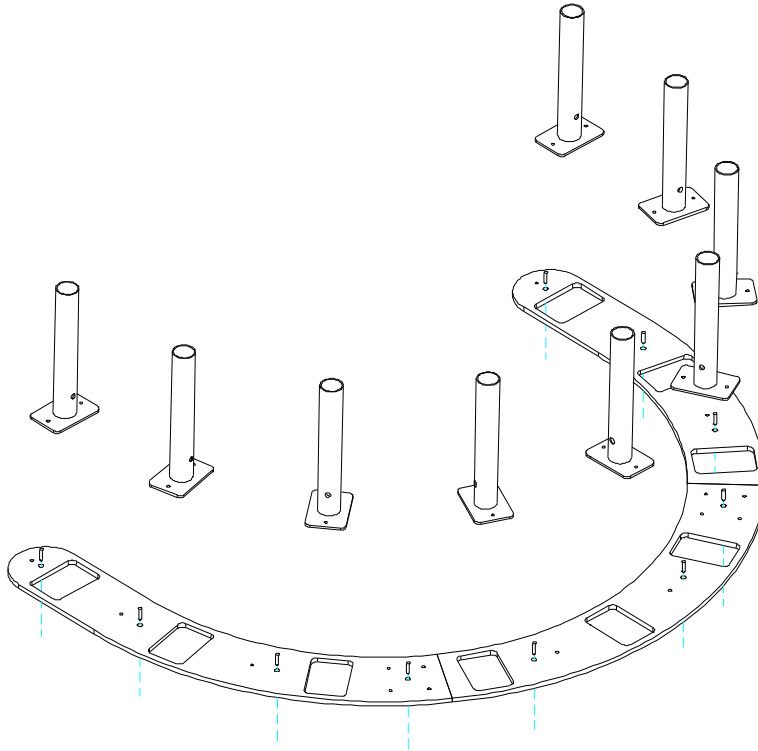
Surface Fixed

Tubular Bells
Page 3 of 4

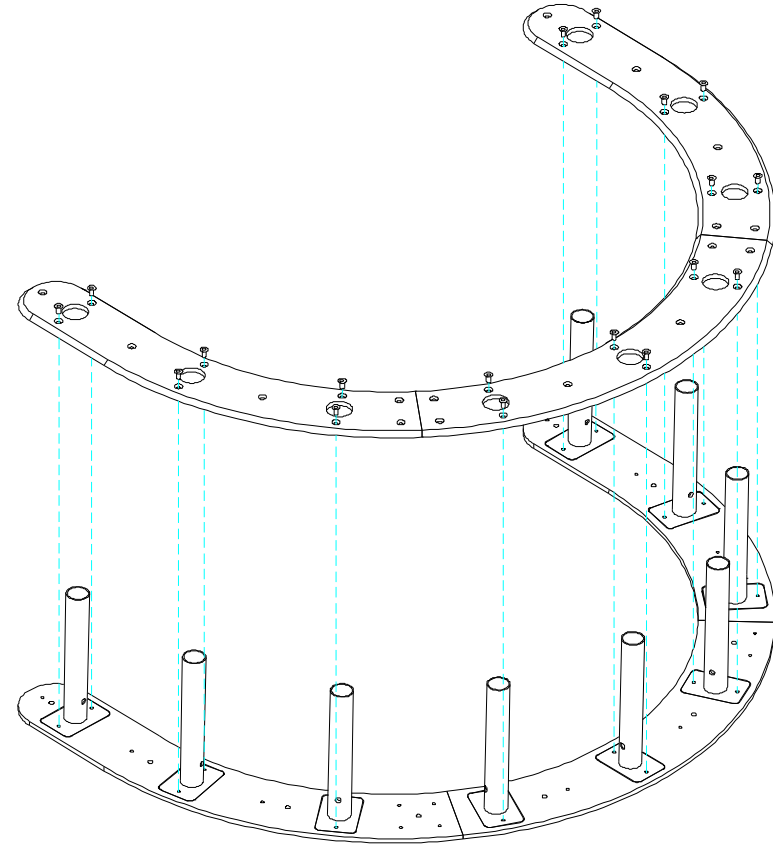


Instrument
Components:

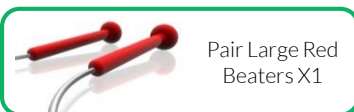
Tubular Bells
Are Pre-
assembled



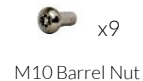
Mount this section of each base to the deck **Deck Anchors Not provided** using pre drilled holes



Insert instrument plates with stanchions and attach with CSK M8x16mm Screws provided



Surface Fix
Components:



Tools:

x1 TX 40 Driver Bit

x2 TX 45 Driver Bit

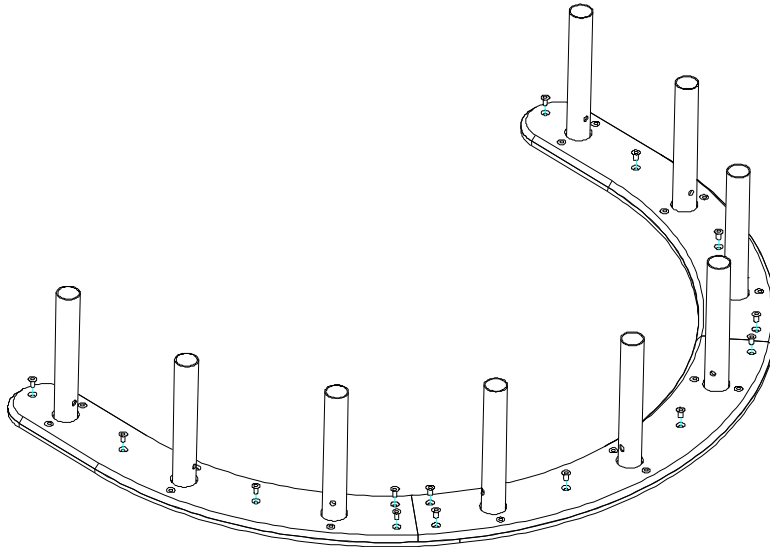
Surface Fixed

Tubular Bells
Page 4 of 4

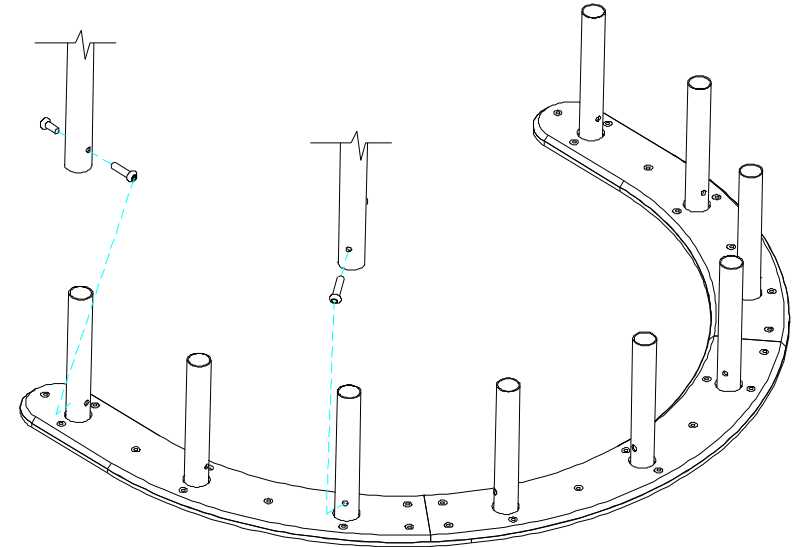


Instrument
Components:

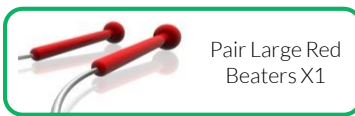
Tubular Bells
Are Pre-
assembled



Join the upper and lower base
sections with CSK M8x16mm Screws
provided



Lower Instrument over the stanchions and attach with
fixings provided **(see surface fix installation
instructions)**



Surface Fix
Components:

-  x9
M10x40 Security Screw
-  x9
M10 Barrel Nut
-  x34
M8x16 CSK Security Screw

Installation Instructions

Surface Fixed

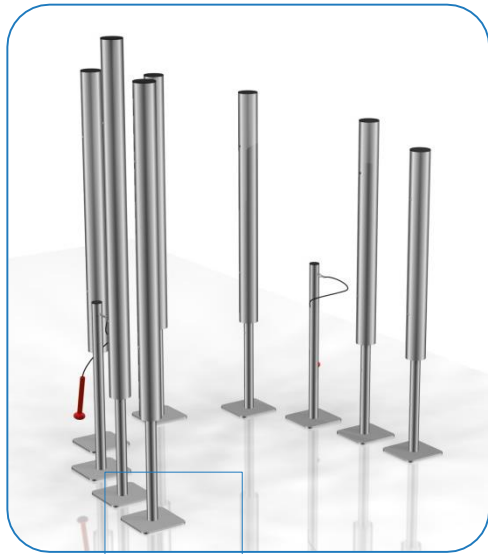
Tubular Bells
Page 1 of 2



Instrument Components:

Tubular Bells are pre-assembled

Metric Conversion:
250mm/ 10"
400mm/ 16"
600mm/ 24"
1.5m/ 59"
2207mm/ 98"



Weight of heaviest part 10kg (XXL Bell)

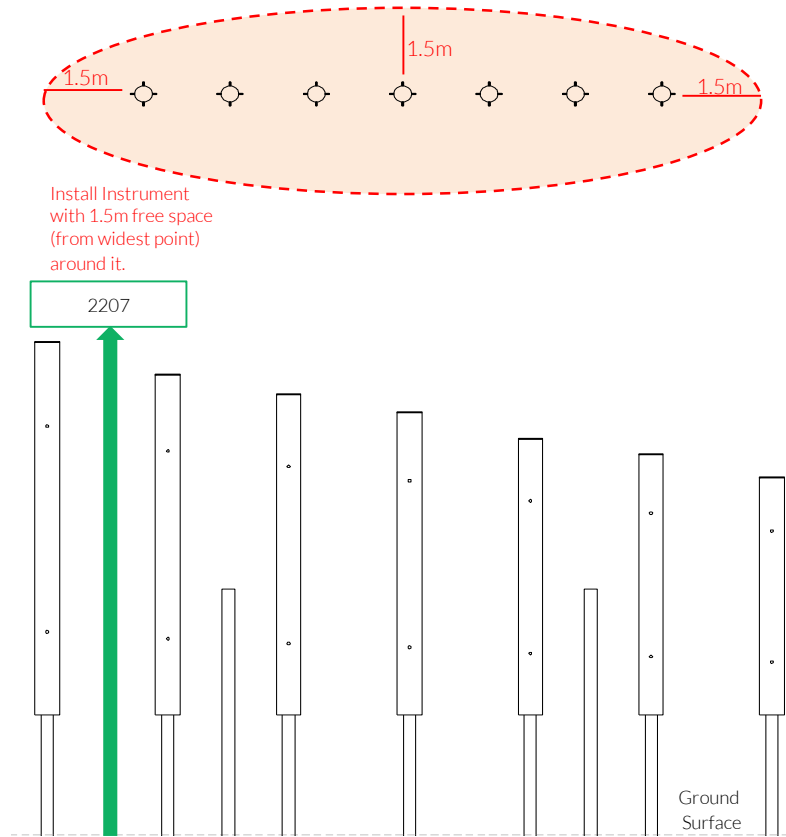
1. Attach Surface Fixing plates to each of the 9 legs(1.2)

2. Locate each chime in desired location and mark holes to fix to desired surface.

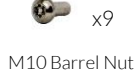
3. Fix Surface Plate to level surface using Coachscrews, Rawlbolts, chemical anchors or similar as deemed appropriate by Installer.

(It is your responsibility to ensure that the existing surface is suitable to receive the appropriate fixing)

4. Make sure all fixings are covered and secure using cover caps provided



Surface Fix Components:



Spares available from percussionplay.com or from your local distributor

59 Kg

Surface Fix Plate Installation

Surface Fixed

Tubular Bells
Page 2 of 2



Components:



x9

M10 Barrel Nut



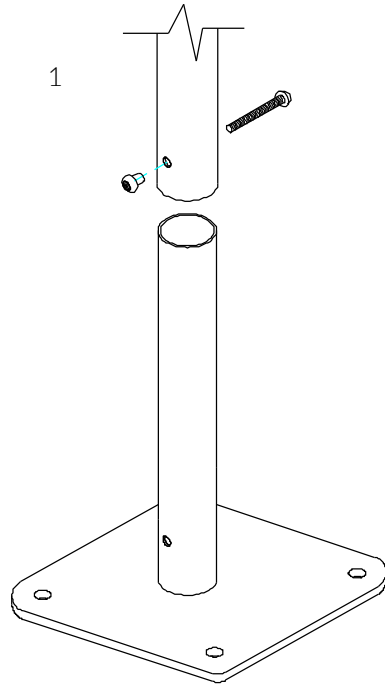
x9

M10x40 Security Screw

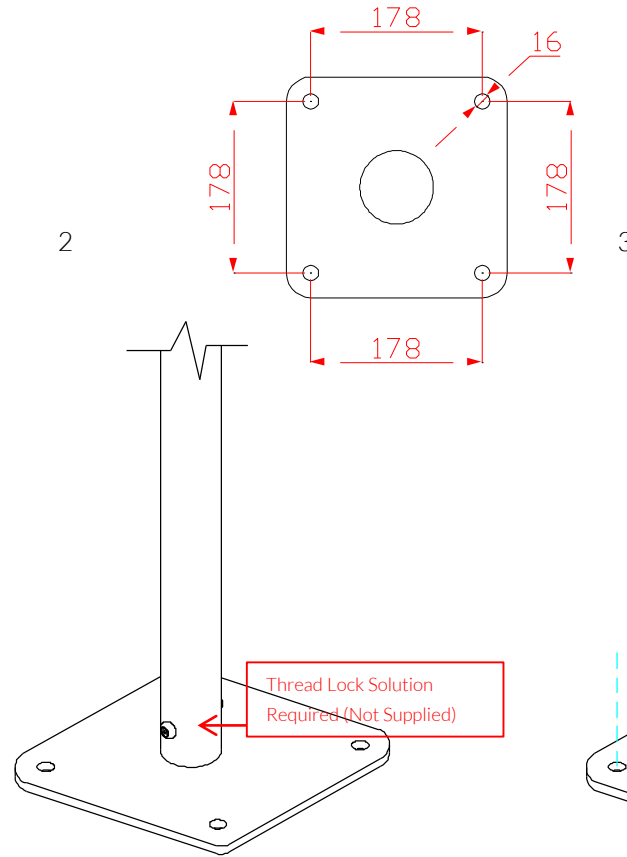


x8

2 Part Cover Cap

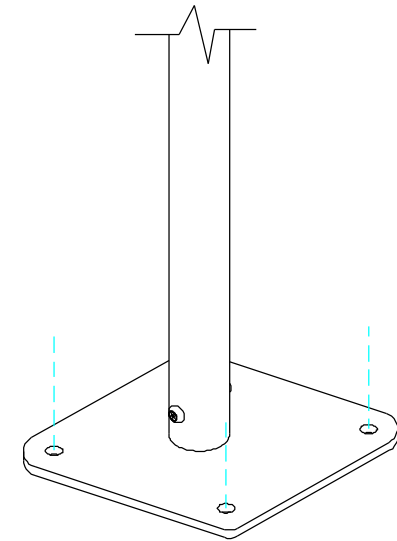


1
Locate the Surface fix Plate into the leg of the instrument.



2
Fix instrument to Surface fix plate using M10 bolt and Barrel Nut and use **thread locking solution** to prevent fixings working loose.

Thread Lock Solution Required (Not Supplied)



3
Fix Surface Plate to the ground surface **Ground Anchors Not provided** cover fixings with caps provided

Repeat Parts 1-3 for all 9 legs



MADE IN BRITAIN

BSEN 1176