

Installation Instructions

Surface Fixed

Harmony Flowers
Page 1 of 3



Components:



x3

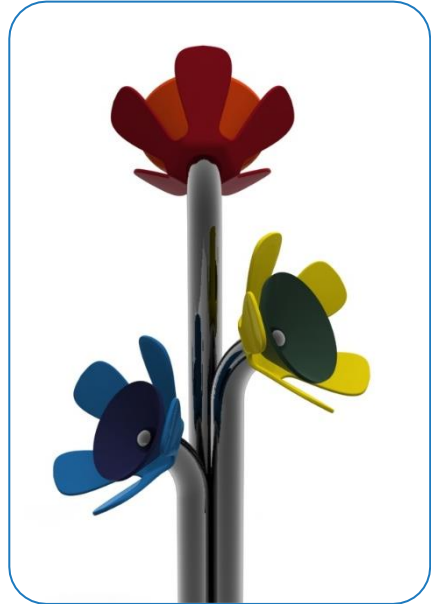
M10x30 Security Screw



x4

2 Part Cover Cap

Metric Conversion:
1100mm/”
1.5m/ 59”



Weight of heaviest part **6kg** (Surface Plate)

1. Unpack ground fixing legs
3no.

2. Lay packaging out on floor
or assemble on non-abrasive
surface to prevent marking of
polished stainless steel.

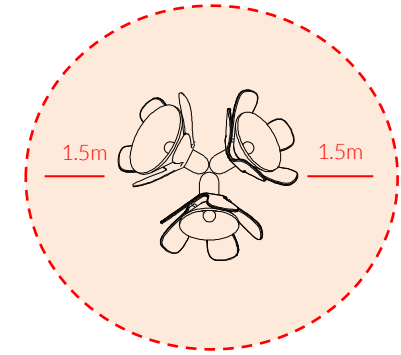
3. Align holes on legs to holes
on surface fixing (opposite
end to polished domes) and
secure in place using 3no.
M10 x 30mm Screws
provided. Tools required TX
45 Driver Bit)

4. Invert assembled frame so
flowers are at the top.

5. **Locate Flowers** in desired
location and mark holes to fix
to desired surface.

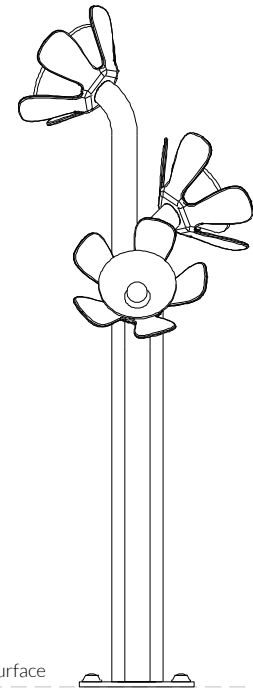
6. Fix to Surface using
recommended ground
anchors (**Ground Anchors
are not supplied**)

7. Make sure all fixings are
covered and secure using
cover caps provided



Install
Instrument
with 1.5m free
space (from
widest point)
around it.

1100mm from Plate



Ground Surface



Small
Beaters X3

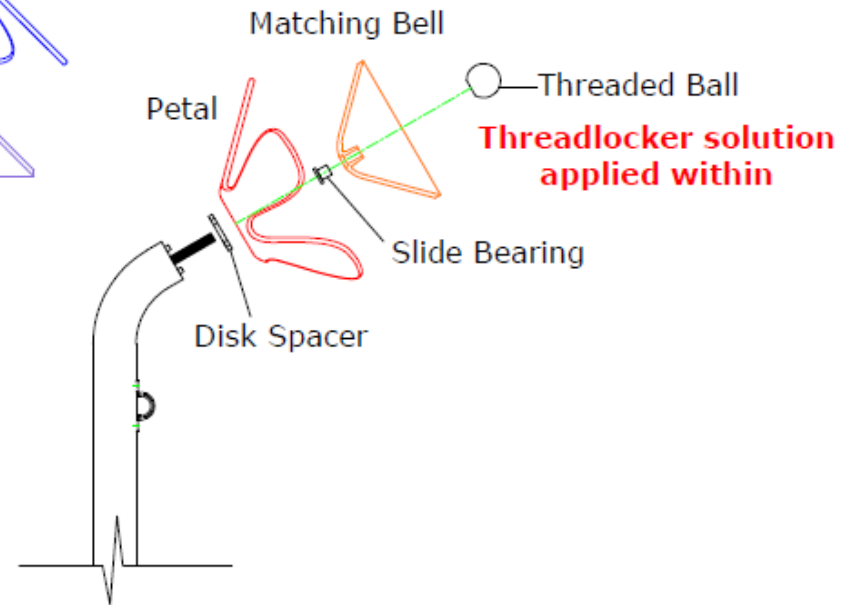
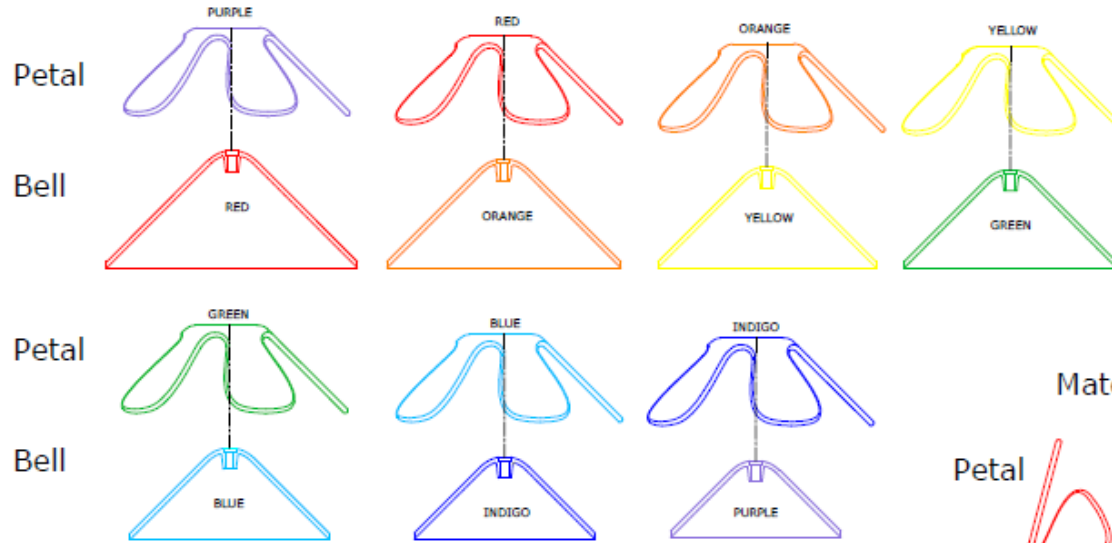
**Ground Anchors
not supplied**



Spares available from
percussionplay.com or from your
local distributor

21 Kg

PETAL & BELL COLOUR COMBINATIONS



Surface Fixed
Harmony Flowers
Page 2 of 3



Components:



x3

Saddle Straps



x6

M6x20 Security Screw

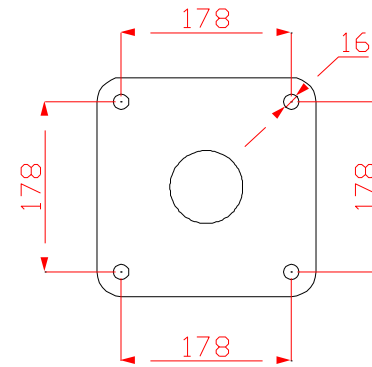


Small
Beaters X3



Tools:

 x1
TX 45 Driver Bit

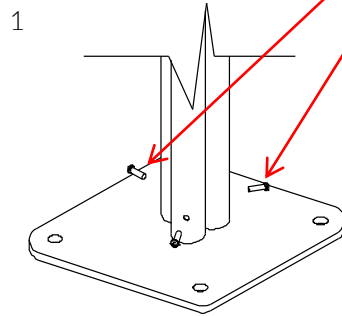


Surface Fixed

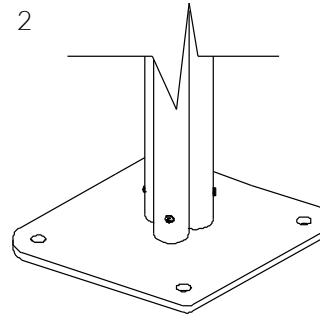
Harmony Flowers
Page 3 of 3



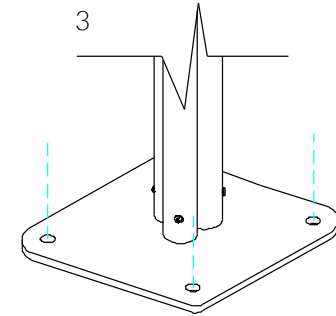
Thread Lock Solution
Required



1
Locate the Surface fix Plate into the leg of the instrument.



2
Fix instrument to Surface fix plate using M10 Screws and use **thread locking solution** to prevent fixings working loose.



3
Fix Surface Plate to the ground surface **Ground Anchors Not provided** cover fixings with caps provided

Components:



x3

M10x30 Security Screw



x4

2 Part Cover Cap

Thread Lock Solution
Required



Small
Beaters X3

Ground Anchors
not supplied



Spares available from
percussionplay.com or from your
local distributor

21 Kg