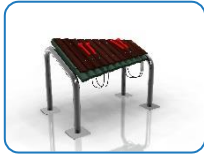


Installation Instructions

Surface Fixed

Grand Marimba
Page 1 of 3



Instrument Components:



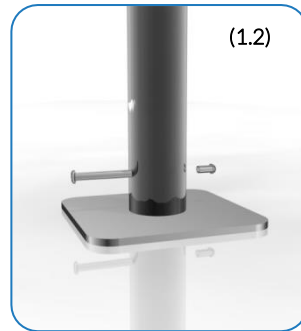
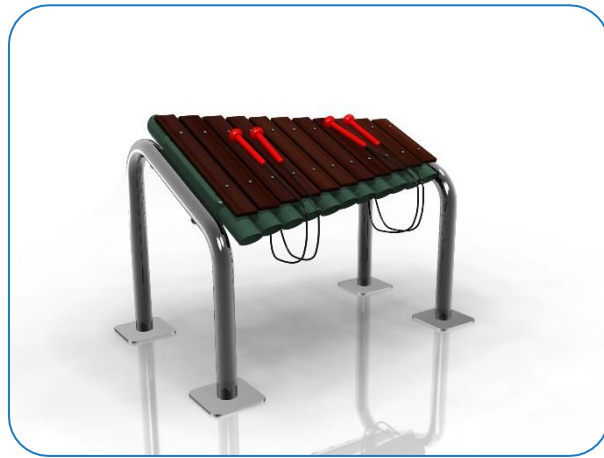
x4

M10x30 Security Screw



10x3/4
Secure Screw
X4

Metric Conversion:
250mm/ 10"
400mm/ 16"
550mm/ 22"
850mm/ 33"
1.5m/ 59"



Weight of heaviest part 40kg (Grand Marimba)

1. Attach the steel legs to each end of the instrument with the M10x30 security screws. (See Assembly Guide).

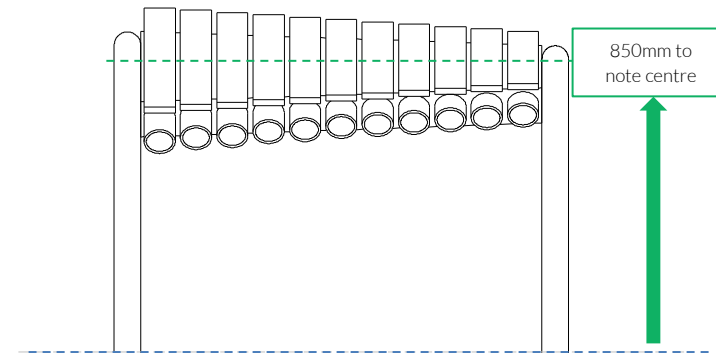
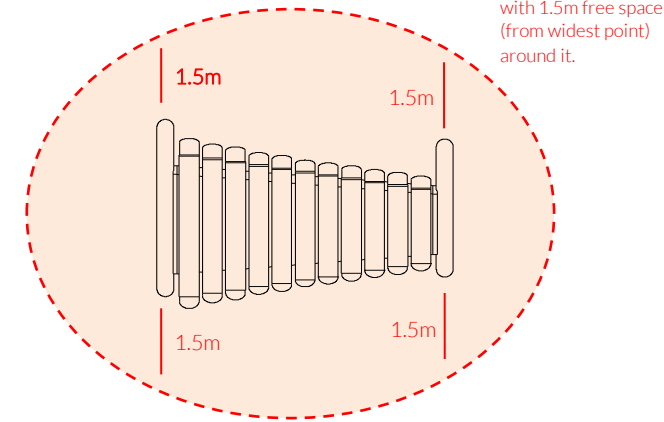
2. Attach Surface Fixing posts to legs(1.2) (See Ground Fix Post Installation Sheet).

3. Locate Plate in desired location and mark holes to fix to desired surface.

4. Fix to Surface using recommended ground anchors not supplied.

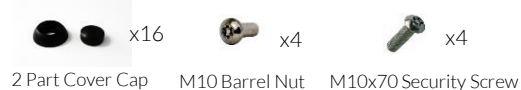
5. Make sure all fixings are covered and secure using cover caps provided.

6. Attach the 2 pairs of beater to the under side of the instrument.



Pair Large Red
Beaters X2



Surface Fix
Components:



Spares available from
percussionplay.com or from your
local distributor

48 Kg

Tools:

 x1  x2

TX 25 Driver Bit TX 45 Driver Bit

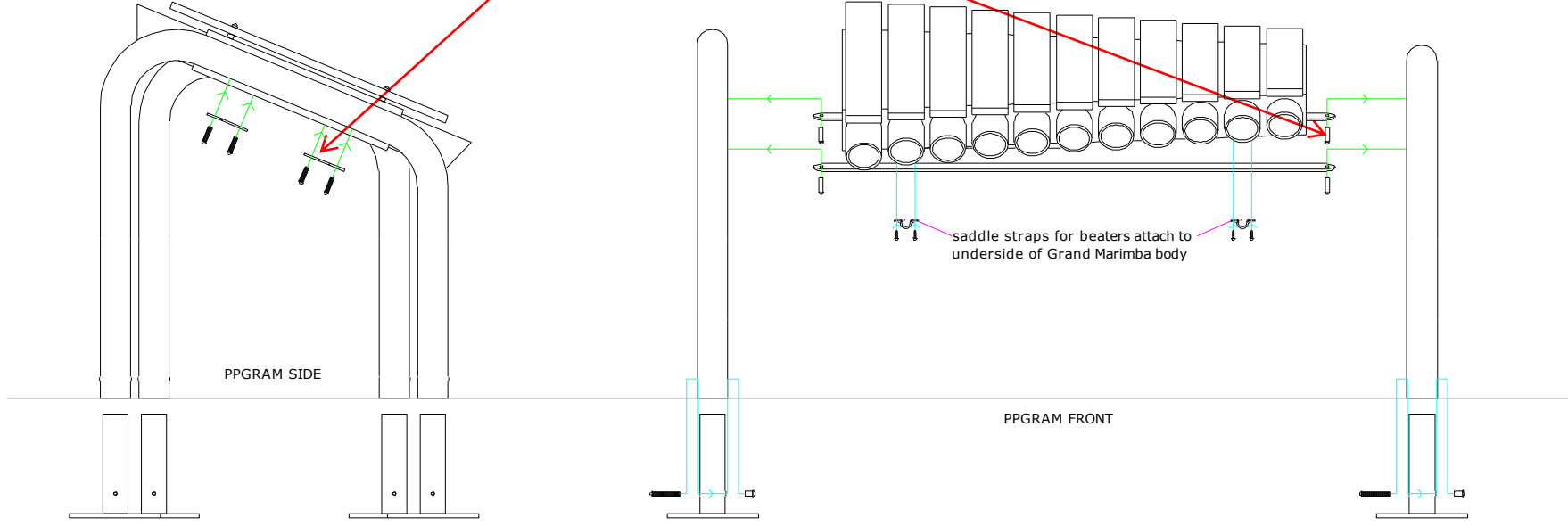
Surface Fixed
Grand Marimba
Page 2 of 3



Instrument Components:






-  x4
M10x30 Security Screw
-  x4
10x3/4 Secure Screw

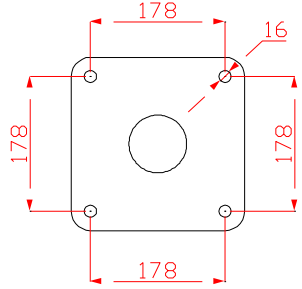
Thread Lock Solution
Required (Not Supplied)



saddle straps for beaters attach to underside of Grand Marimba body



COMPONENTS LIST:

-  Saddle Strap X2
-  10x3/4 Pin torx Screw X4
-  M10x30 Pin torx X4
-  M10x70 Pin torx X4
-  M10 Barrel Nut Pin torx X4



Thread Lock Solution
Required (Not Supplied)

 Pair Large Red Beaters X2

- Surface Fix Components:**
-  x16
 -  x4
 -  x4



Spares available from percussionplay.com or from your local distributor

48 Kg

Tools:

 x2
TX 45 Driver Bit

Surface Fixed

Grand Marimba
Page 3 of 3



Components:



x4

M10 Barrel Nut



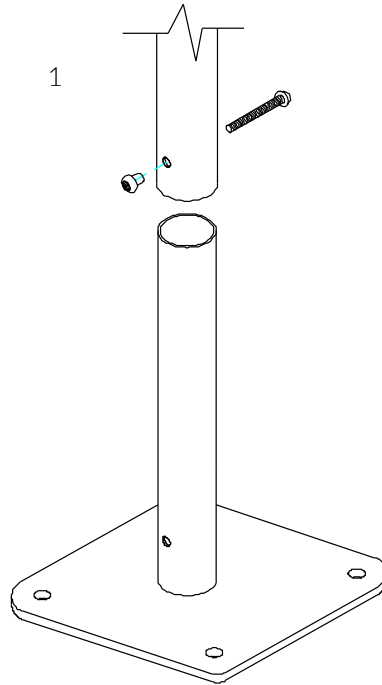
x4

M10x70 Security Screw

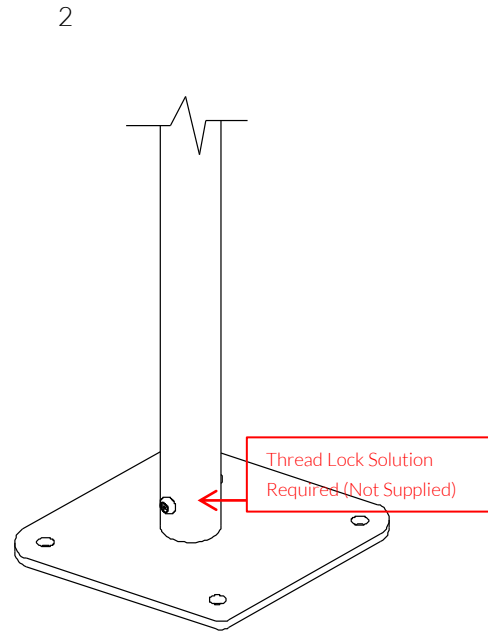


x16

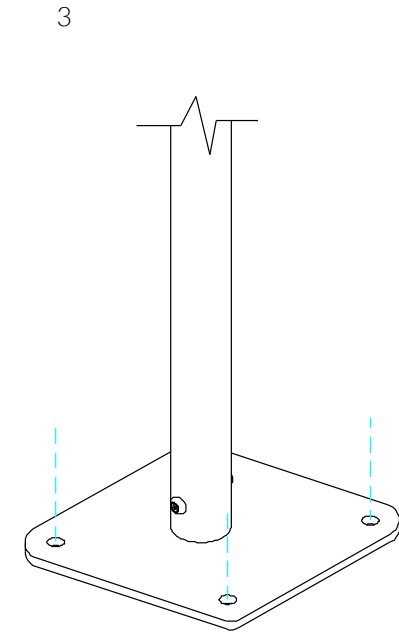
2 Part Cover Cap



1
Locate the Surface fix Plate into the leg of the instrument.



2
Fix instrument to Surface fix plate using M10 bolt and Barrel Nut and use **thread locking solution** to prevent fixings working loose.



3
Fix Surface Plate to the ground surface **Ground Anchors Not provided** cover fixings with caps provided

Thread Lock Solution
Required (Not Supplied)



MADE IN
BRITAIN

BSEN 1176

