

Installation Instructions

Surface Fixed

Freechimes
Alto/ Soprano
Page 1 of 3



Weight of heaviest part **8.35kg** (Freechimes)

1. Carefully lay 2 x legs on a **level surface** and check distance between **legs is equal**. Line up pre drilled holes in the backboards with the holes in legs and ensure the instrument is aligned square with the legs. **Fix** in place using **M8x40mm screws** supplied (see installation guide)

2. Attach Surface Fixing posts to legs (See **Surface Fix Post Installation Sheet**)

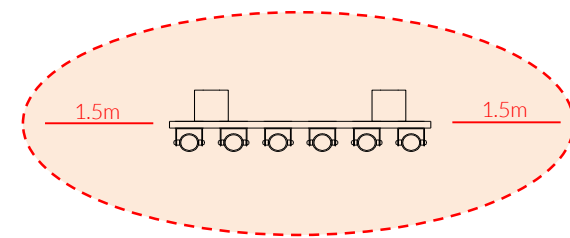
3. Locate Instrument in desired location and mark holes to fix to desired surface.

4. Fix Surface Plate to level surface using Coachscrews, Rawlbolts, chemical anchors or similar as deemed appropriate by Installer.

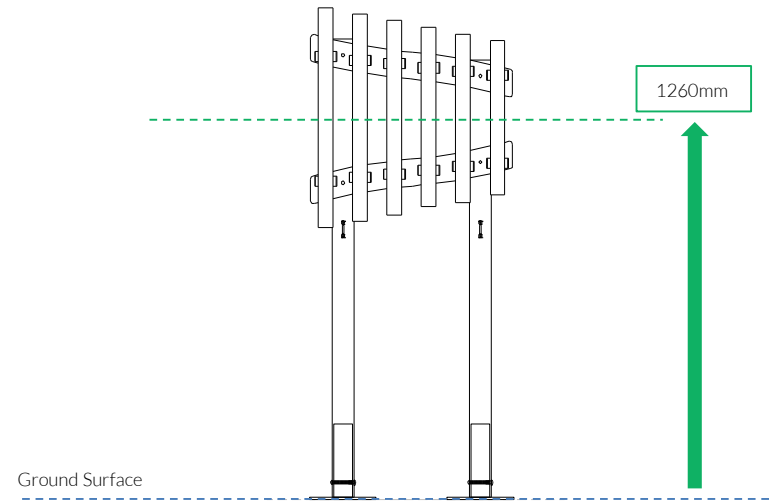
(It is your responsibility to ensure that the existing surface is suitable to receive the appropriate fixing)

5. Make sure all fixings are covered and secure using cover caps provided

6. Beaters can be fixed to Steel posts with fixings provided



Install Instrument with 1.5m free space (from widest point) around it.



Components:



Metric Conversion:
1260mm/ 49 39/64"
1.5m/ 59"



Pair Small Beaters X1



Surface Fix Components:




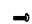

Spares available from percussionplay.com or from your local distributor

16 Kg

Tools:

 x1
 x2

TX 30 Driver Bit TX 45 Driver Bit

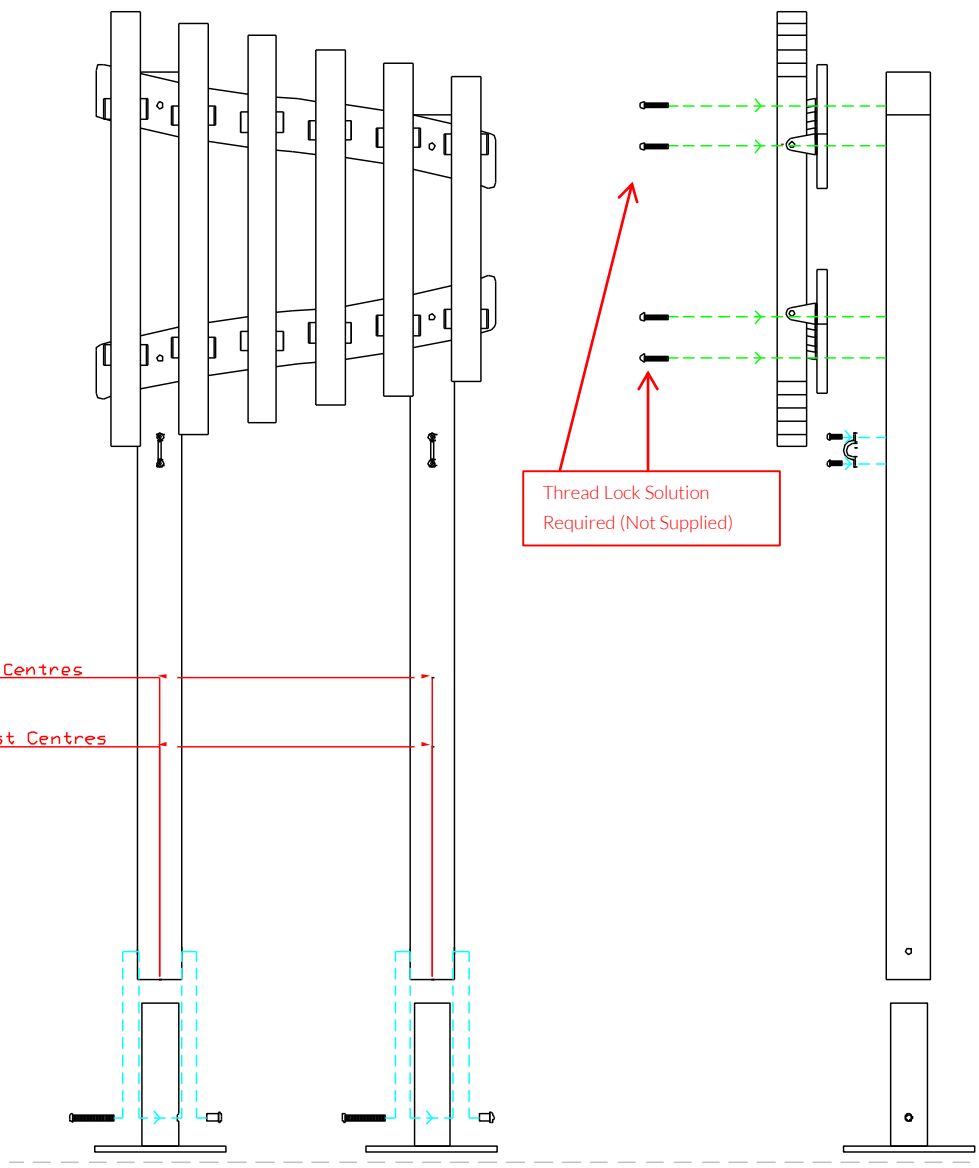
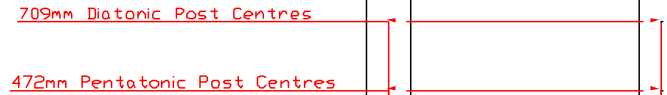
- COMPONENTS LIST:**
-  Saddle Strap X2
 -  M6x20 Pin torx X4
 -  M8x40 Pin Torx X4
 -  M10x70 Pin torx X2
 -  M10 Barrel Nut Pin torx X2

Surface Fixed
Freechimes
Alto/ Soprano
Page 2 of 3

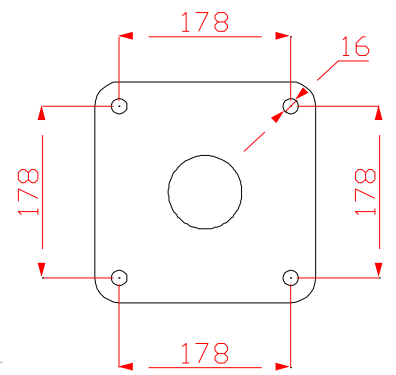



- Components:**
-  Eye Straps X2
 -  M6x20mm Secure Screw X4
 -  M8x40mm Secure Screw X4

Thread Lock Solution Required (Not Supplied)




Thread Lock Solution Required (Not Supplied)



 Pair Small Beaters X1

Surface Fix Components:

 x8
2 Part Cover Cap

 x2
M10 Barrel Nut

 x2
M10x70 Security Screw

Spares available from percussionplay.com or from your local distributor

16 Kg

Tools:

 x2
TX 45 Driver Bit

Surface Fixed

Freechimes
Alto/ Soprano
Page 3 of 3



Components:



x2

M10 Barrel Nut



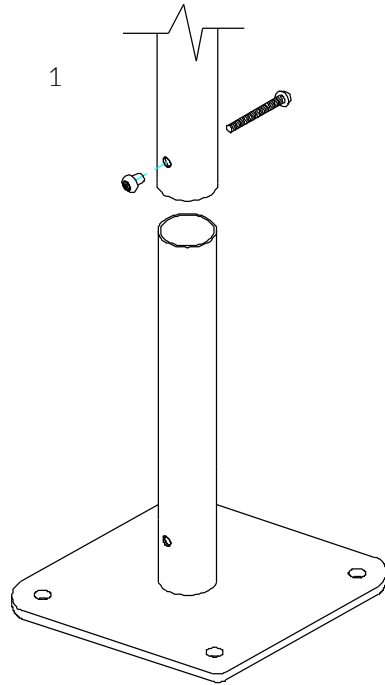
x2

M10x70 Security Screw

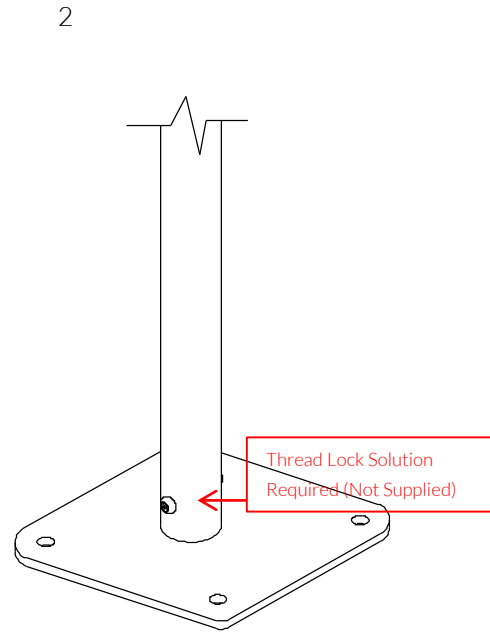


x8

2 Part Cover Cap

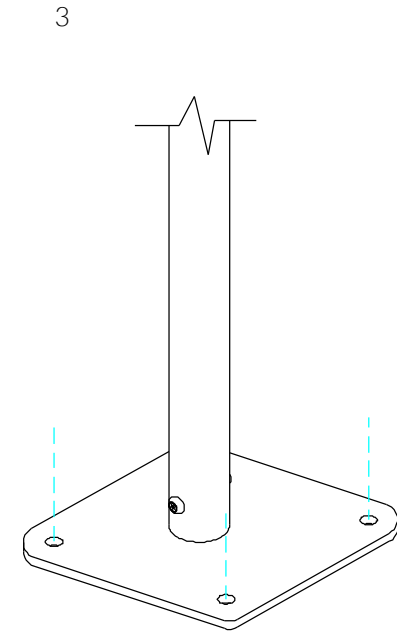


1
Locate the Surface fix Plate into the leg of the instrument.



2
Fix instrument to Surface fix plate using M10 bolt and Barrel Nut and use **thread locking solution** to prevent fixings working loose.

Thread Lock Solution Required (Not Supplied)



3
Fix Surface Plate to the ground surface **Ground Anchors Not provided** cover fixings with caps provided

Thread Lock Solution Required (Not Supplied)



MADE IN BRITAIN

BSEN 1176