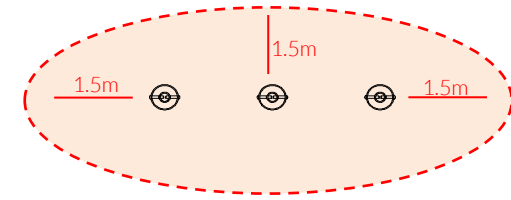


# Installation Instructions

1. Attach Surface Fixing plates to the base of each chime (1.1)  
(See Surface Fix Plate Installation Sheet)

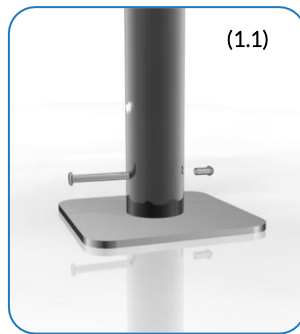
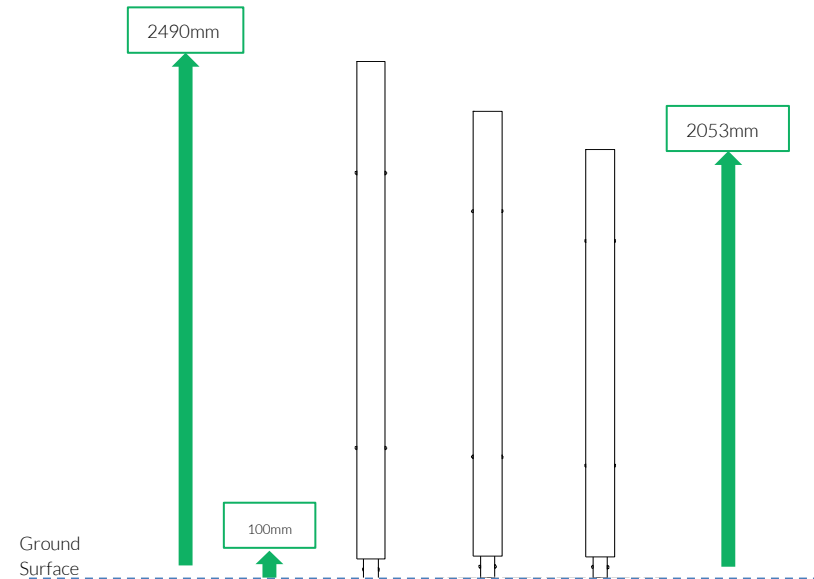


Install Instrument with 1.5m free space (from widest point) around it.

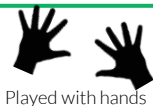
2. Locate Chimes to desired location and mark holes to fix to desired surface.

4. Fix to Surface using recommended ground anchors not supplied

5. Make sure all fixings are covered and secure using cover caps provided



Weight of heaviest part 25kg (XL Chime)



Played with hands

Surface Fix  
Components:

M10x50 Security Screw x3  
M10 Barrel Nut x3  
2 Part Cover Cap x12



Spares available from  
[percussionplay.com](http://percussionplay.com) or from your  
local distributor

61 Kg

## Surface Fixed

Emperor Chimes  
TRIAD  
Page 1 of 2



Instrument  
Components:

Emperor  
Chimes  
are pre-  
assembled

Metric Conversion:

100mm/ 4"  
1.5m/ 59"  
2053mm/ 81"  
2490mm/ 98"

Tools:

 x2  
TX 45 Driver Bit

## Surface Fixed

Emperor Chimes  
TRIAD  
Page 2 of 2



## Components:



x3

M10 Barrel Nut



x3

M10x50 Security Screw

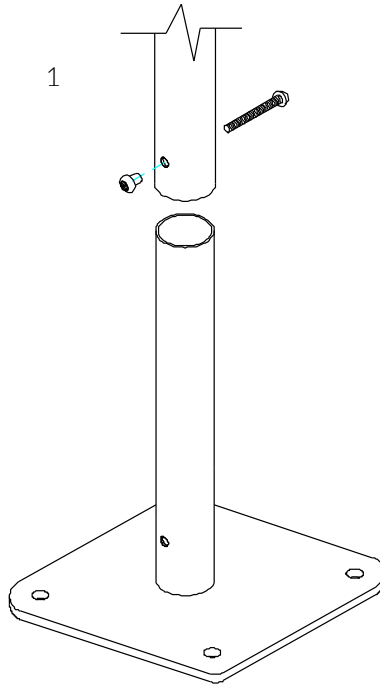


x12

2 Part Cover Cap

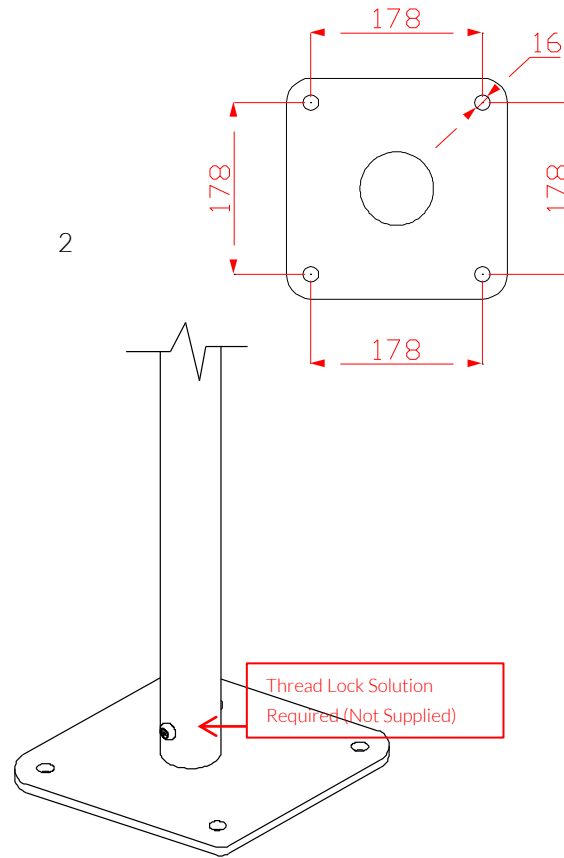
Thread Lock Solution  
Required (Not Supplied)

1



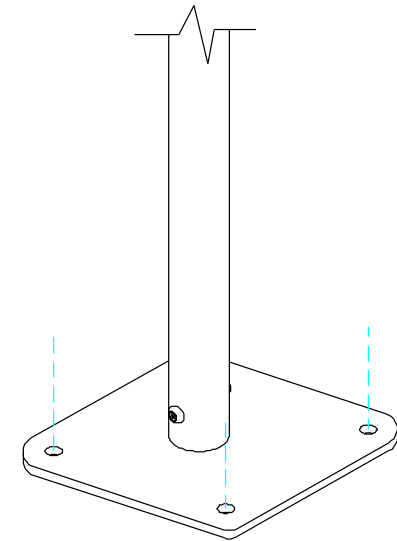
Locate the Surface fix Plate into the leg of the instrument.

2



Fix instrument to Surface fix plate using M10 bolt and Barrel Nut and use **thread locking solution** to prevent fixings working loose.

3



Fix Surface Plate to the ground surface **Ground Anchors Not provided** cover fixings with caps provided

Repeat Parts 1-3 for all 3 chimes



MADE IN  
BRITAIN

BSEN 1176

