

Installation Instructions

Surface Fixed

Congas
Page 1 of 3



Weight of heaviest part **3.8kg** (Large drum Small Congas)
Weight of heaviest part **4.5kg** (Large drum Medium Congas)
Weight of heaviest part **5.2kg** (Large drum Large Congas)

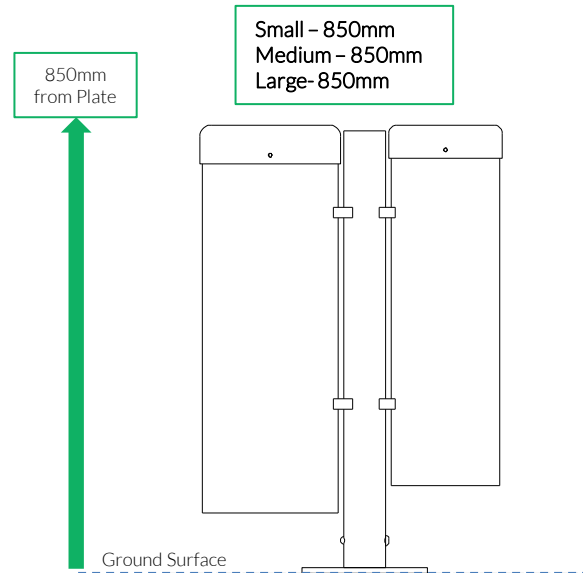
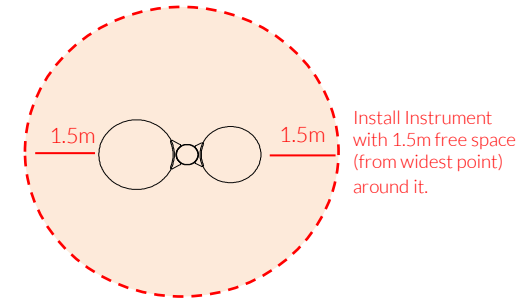
1. Attach the steel leg to each of the congas with the M10x50 security screws, square washers and PU mounts. **(1.1)** (See Assembly Guide)

2. **Locate Plate** in desired location and mark holes to fix to desired surface.

3. **Fix to Surface** using recommended ground anchors not supplied.

4. Make sure all fixings are covered and secure using cover caps provided.

5. Sheath Surface Fixing posts over surface plates and secure with M10x50 security screw and M10 barrel nuts. **(1.2)**



Instrument Components:



x4

M10x50 Security Screw



x4

M10x50x3 Square washer



x2

PU 200 Mount



x2

PU 250 Mount

Metric Conversion:
178mm/ 7"
850mm/ 33"
1.5m/ 59"



Surface Fix Components:



x1



x1



x4

M10x70 Security Screw M10 Barrel Nut 2 Part Cover Cap

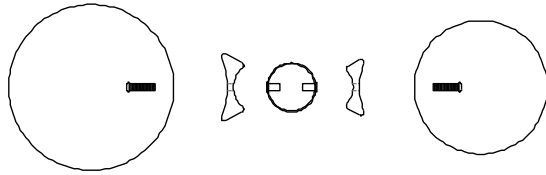
Ground Anchors not supplied



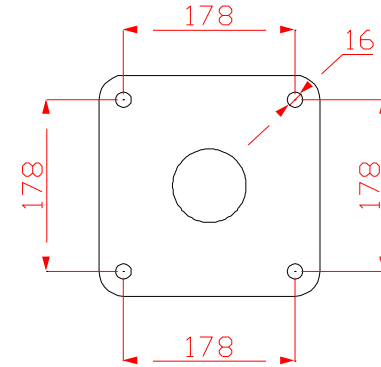
Spares available from percussionplay.com or from your local distributor

14.8 Kg
15 Kg
20 Kg

Assembly Guide PPCONG



PPCONG PLAN

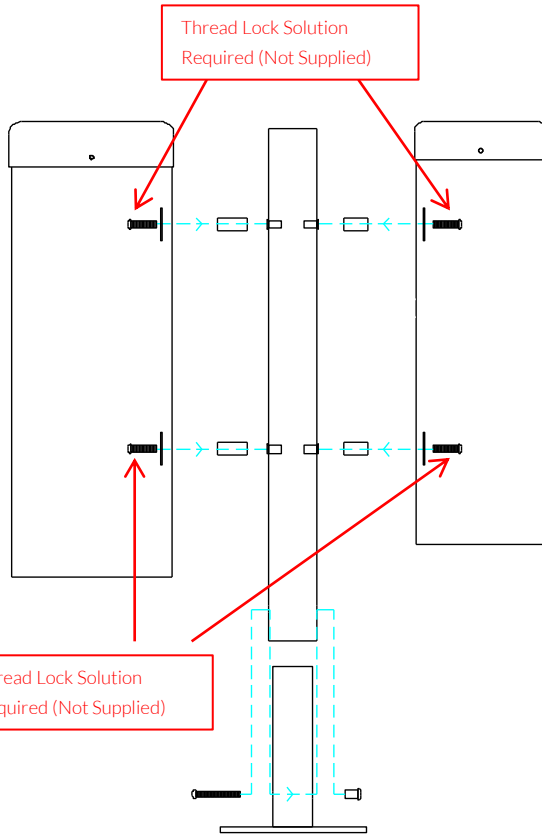


Tools:

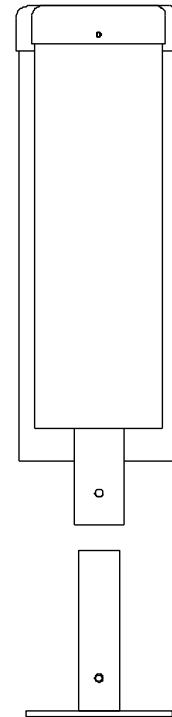
- x2
- TX 45 Driver Bit

COMPONENTS LIST:

- M10x50 Security Screw X4
- M10x50x3 square washer X4
- PU MOUNT 200 X2
- PU MOUNT 250 X2
- M10x70 Pin torx X1
- M10 Barrel Nut Pin torx X1



PPCONG FRONT



PPCONG SIDE

Surface Fixed

Congas
Page 2 of 3



Instrument Components:

- x4
M10x50 Security Screw
- x4
M10x50x3 Square washer
- x2
200 Mount
- x2
250 Mount



Surface Fix Components:

- x1
- x1
- x4

Ground Anchors
not supplied



Spares available from
percussionplay.com or from your
local distributor

14.8 Kg
15 Kg
20 Kg

Tools:

 x2
TX 45 Driver Bit

Surface Fixed

Congas
Page 3 of 3



Components:



x1

M10 Barrel Nut



x1

M10x70 Security Screw



x4

2 Part Cover Cap

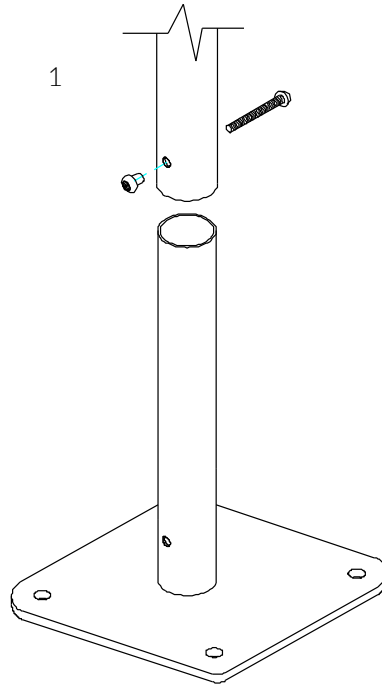
Thread Lock Solution
Required (Not Supplied)

Metric
Conversion:
50mm/ 2"
300mm/ 12"

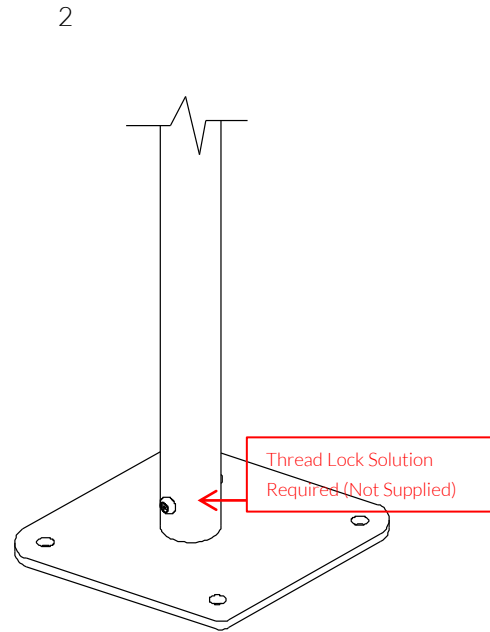


MADE IN
BRITAIN

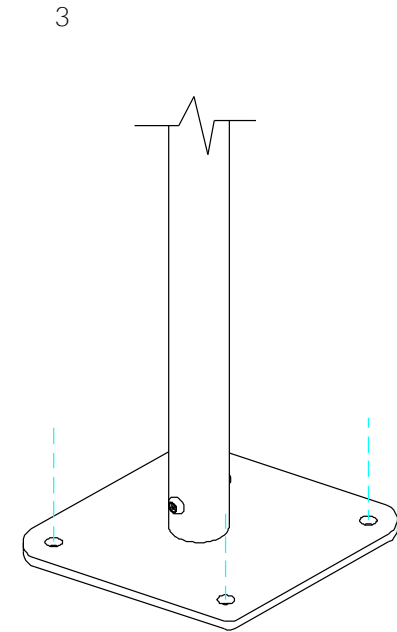
BSEN 1176



1
Locate the Surface fix Plate into the leg of the instrument.



2
Fix instrument to Surface fix plate using M10 bolt and Barrel Nut and use **thread locking solution** to prevent fixings working loose.



3
Fix Surface Plate to the ground surface **Ground Anchors Not provided** cover fixings with caps provided

