

Installation Instructions

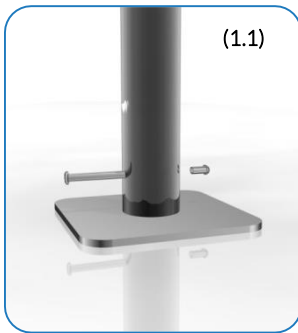
Surface Fixed
Emperor Chimes
Page 1 of 2



Instrument Components:

Emperor Chimes are pre-assembled

Metric Conversion:
100mm/ 4"
1.5m/ 59"
1785mm/ 70"
2490mm/ 98"



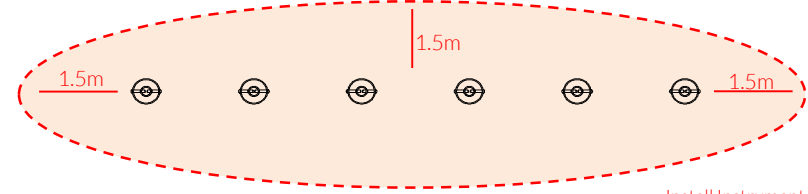
Weight of heaviest part 25kg (XL Chime)

1. Attach Surface Fixing plates to the base of each chime (1.1) (See Surface Fix Plate Installation Sheet)

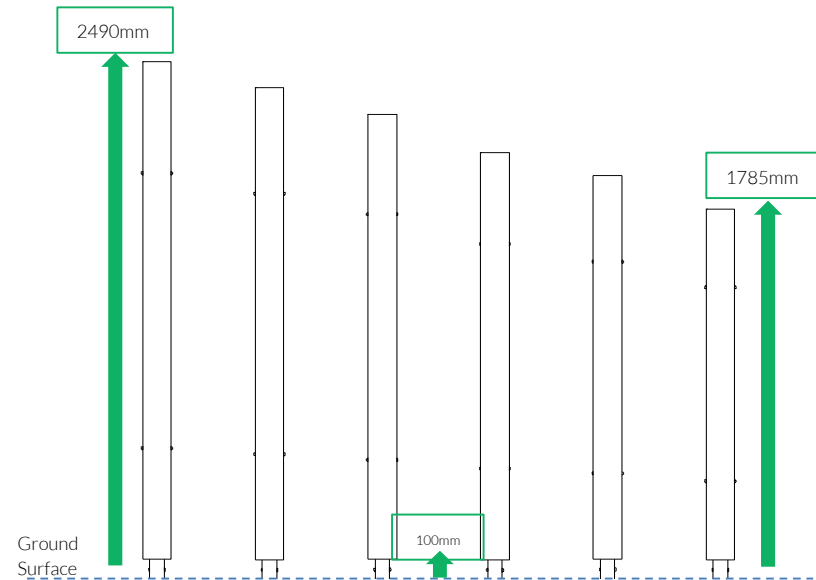
2. Locate Chimes to desired location and mark holes to fix to desired surface.

4. Fix to Surface using recommended ground anchors not supplied

5. Make sure all fixings are covered and secure using cover caps provided



Install Instrument with 1.5m free space (from widest point) around it.



Surface Fix Components:

x6
M10x50 Security Screw

x6
M10 Barrel Nut

x24
2 Part Cover Cap

Spares available from percussionplay.com or from your local distributor

117 Kg

Surface Fix Plate Installation

Tools:

 x2
TX 45 Driver Bit

Ground Fixed
Emperor Chimes
Page 2 of 2



Components:



x6

M10 Barrel Nut



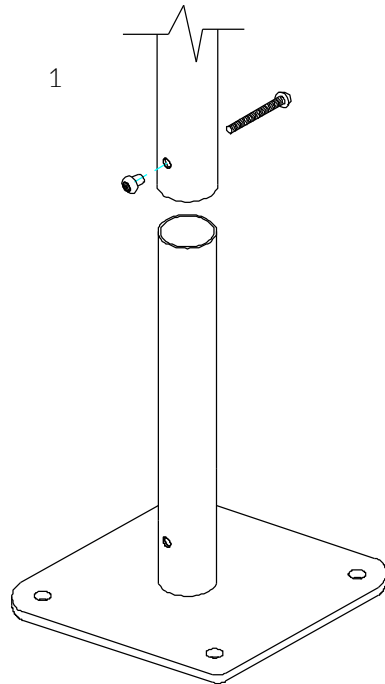
x6

M10x50 Security Screw

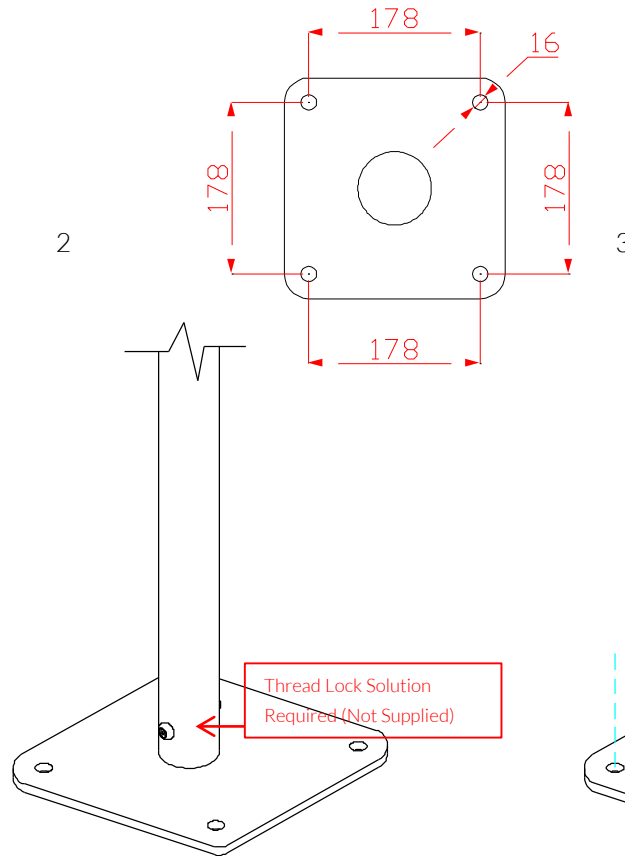


x24

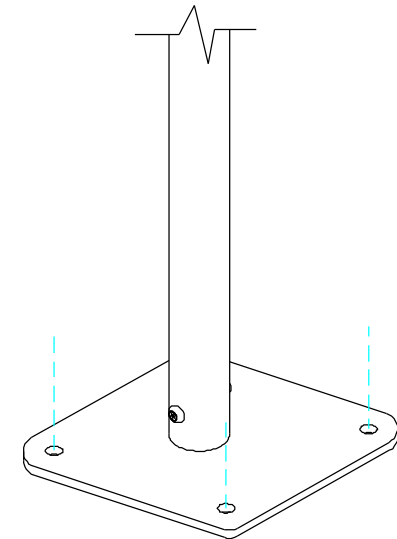
2 Part Cover Cap



1
Locate the Surface fix Plate into the leg of the instrument.



2
Fix instrument to Surface fix plate using M10 bolt and Barrel Nut and use **thread locking solution** to prevent fixings working loose.



3
Fix Surface Plate to the ground surface **Ground Anchors Not provided** cover fixings with caps provided

Thread Lock Solution
Required (Not Supplied)

Repeat Parts 1-3 for all 6 chimes



MADE IN BRITAIN

BSEN 1176