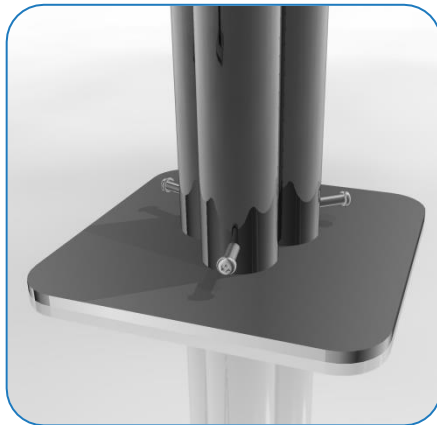
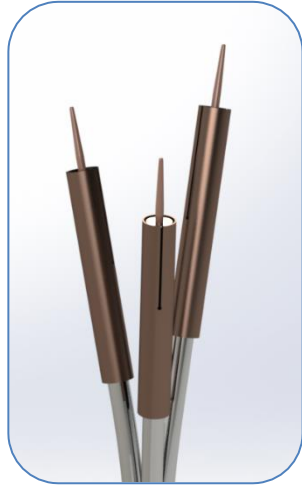


# Installation Instructions

## Surface Fixed

Cattail (3)  
Page 1 of 1



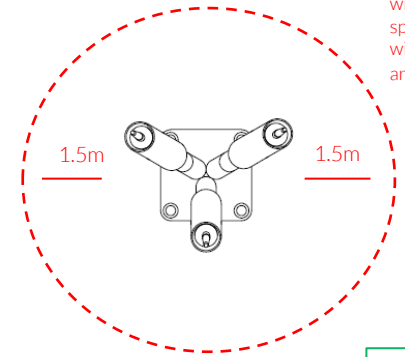
1. Lay packaging out on floor and clear workspace with non-abrasive surface for assembly to prevent marking of polished stainless steel.

2. Unpack Cattail Chimes and Surface Fixing Plate.

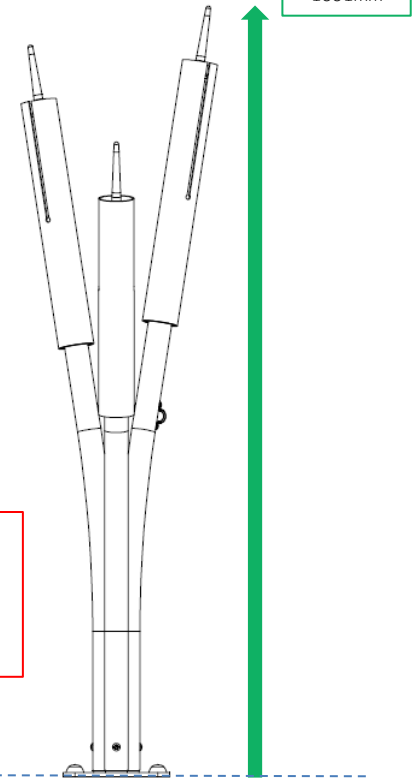
3. Sheath the shortest chime over the front surface plate stanchion and secure with an M10x20mm Security Screw.

4. Repeat clockwise in ascending order of post height.

5. Secure instrument to the floor using recommended ground fixing anchors (not supplied), covering with M10 cover caps.



Install Instrument with 1.5m free space (from widest point) around it.



**CAUTION:** Frame surface can get hot in direct sunlight, if possible install in shaded areas.

Weight of heaviest part 8Kg (Large Bell)



Small Beaters X2

Metric Conversion:  
1661mm/ 66 2/5"