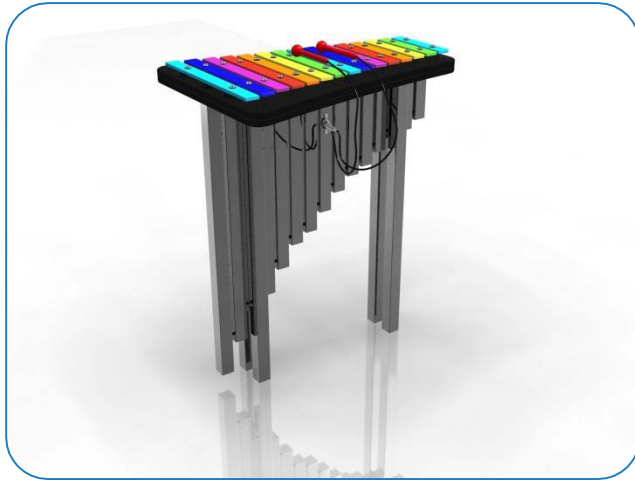


Installation Instructions



1. Attach the steel legs to the resonators of the instrument with the M8x60 security screws and lock washers. (See Assembly Guide)

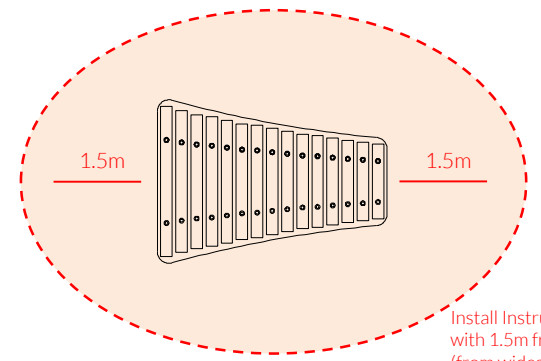
2. Attach Ground Fixings to base of legs (See Ground Fix Post Installation Sheet)

3. Excavate 2 holes for the Steel legs **250mm diameter** by **450mm deep** in desired location upon decision from customer.

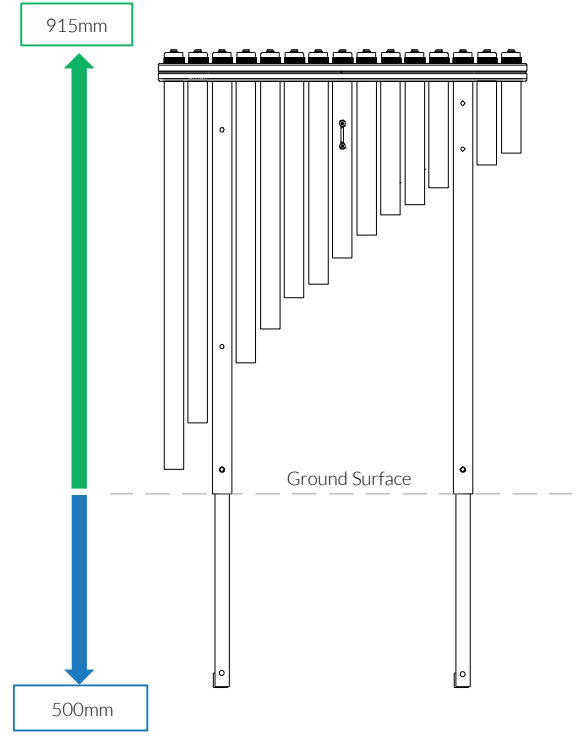
4. Locate (lower) legs into holes making sure they are vertical and level prior to concreting in place.

5. Once happy with location of the Instrument, **fill** holes using rapid hardening **concrete**. Be sure to compact concrete around legs and leave to dry according to manufactures guidelines.

6. Attach the 1 pair of beater (1.3)



Install Instrument with 1.5m free space (from widest point) around it.



Metric Conversion:
250mm/ 10"
300mm/ 12"
450mm/ 18"
500mm/ 19"
915mm/ 36"
1.5m/ 59"

Weight of heaviest part **15kg** (Resonators)

Ground Fixed
Capella
Page 1 of 3



- Instrument Components:
-  x8
M8x30 CSK Security Screw
 -  x8
M8x60 Security Screw
 -  x4
M6x20 Security Screw
 -  x2
M6 Saddle Strap
 -  x8
M8 Barrel Nut





- Ground Fix Components:
-  x4
 -  x4
 -  x8
 -  x4

Spares available from percussionplay.com or from your local distributor

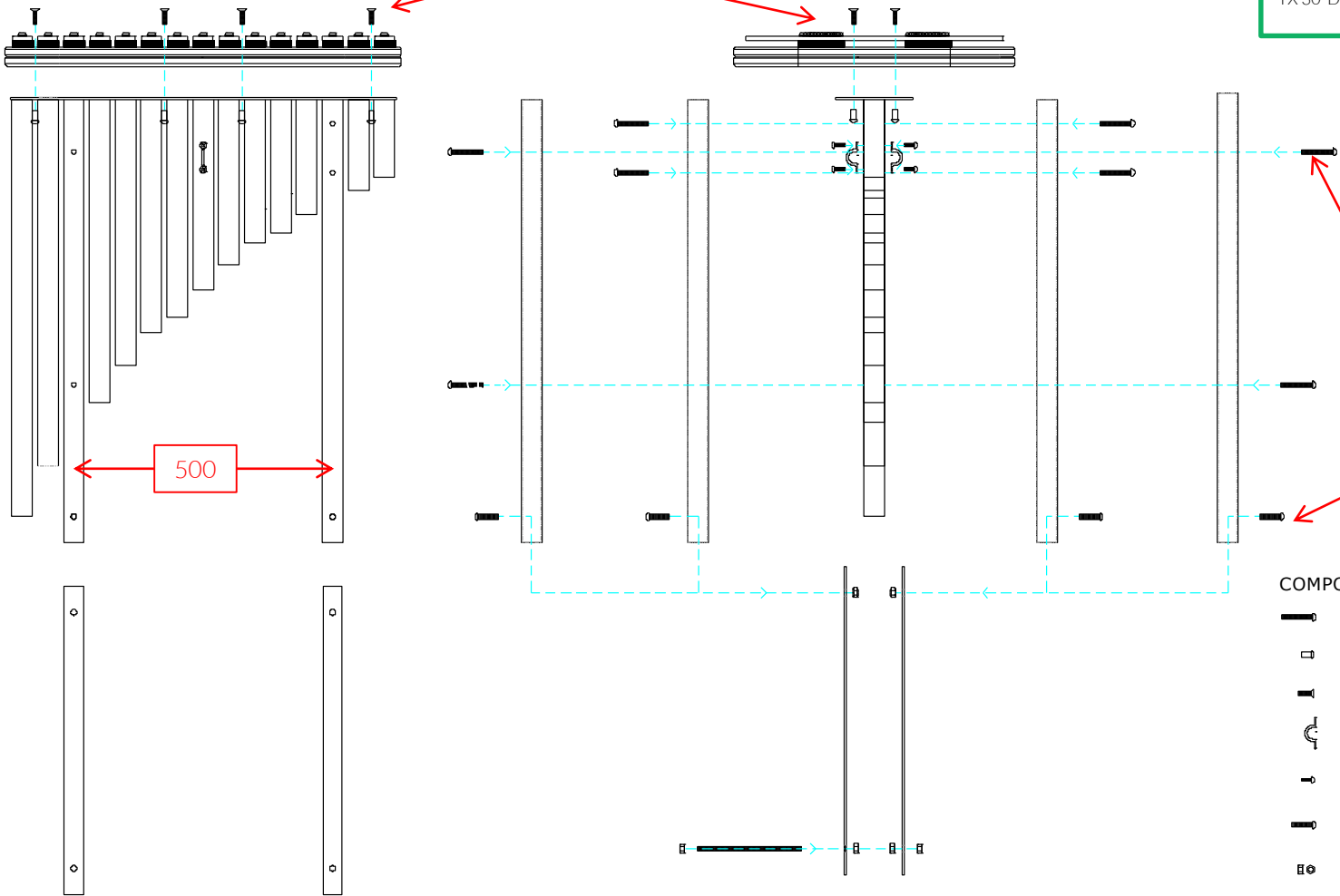
30 Kg

Assembly Guide PPCAPELLA

Tools:

-  x1
-  x1

Thread Lock Solution Required (Not Supplied)



500

Thread Lock Solution Required (Not Supplied)









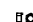
Ground Fixed Capella
Page 2 of 3




Instrument Components:

-  x8
- M8x30 CSK Security Screw**
-  x8
- M8x60 Security Screw**
-  x4
- M6x20 Security Screw**
-  x2
- M6 Saddle Strap**
-  x8
- M8 Barrel Nut**

Thread Lock Solution Required (Not Supplied)

- COMPONENTS LIST:**
-  M8x60 Pin torx X8
 -  M8 Barrel Nut Pin torx X8
 -  M8x30 CSK Pin torx X8
 -  Saddle Strap X2
 -  M6x20 Pin torx X4
 -  M10x30 Pin torx X4
 -  M10 Nut X8
 -  M10x200 Threaded Bar X2
 -  M10 ST.ST Nyloc Nut X4



 Pair Small Red Beaters X2

- Ground Fix Components:**
-  x4
 -  x4
 -  x8
 -  x4

Spares available from percussionplay.com or from your local distributor

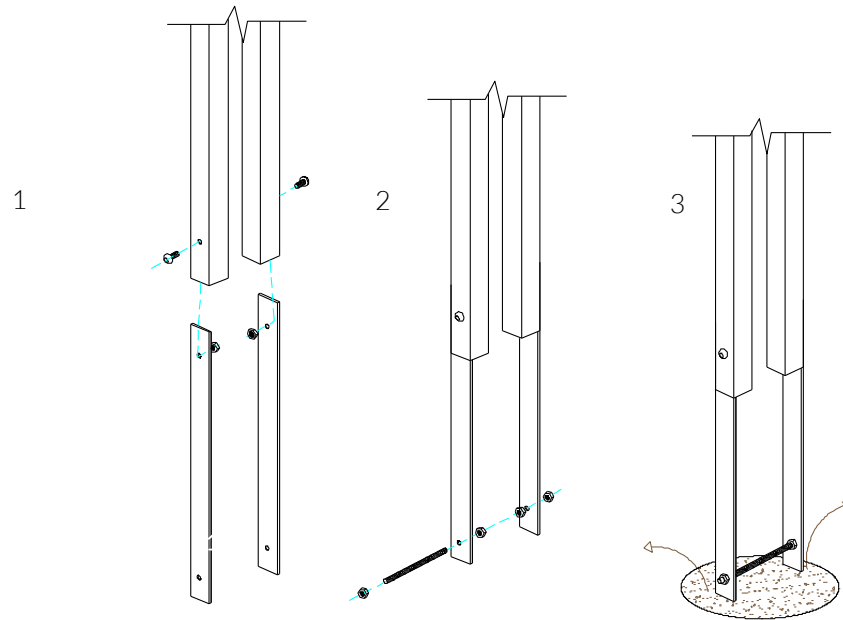
30 Kg

Ground Fix Post Installation

Tools:

 x1
TX 45 Driver Bit

Foundations should not present a hazard. These foundations are recommended as a guide, for more information on foundation details for various surface see Part 1 of BS EN 1176.

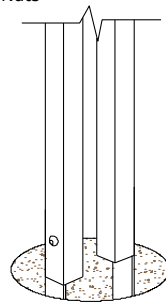


Insert 1 bar into bottom of each of the 4 square legs with M10x30mm Screws and ST.ST Nyloc Nuts

Fix Bars with M10x200mm Bar and 4 X BZP Nuts

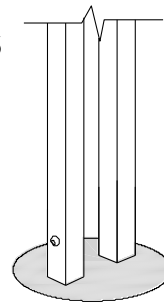
Excavate a hole with a 250mm diameter tapering down to 350mm diameter and 500mm depth

4

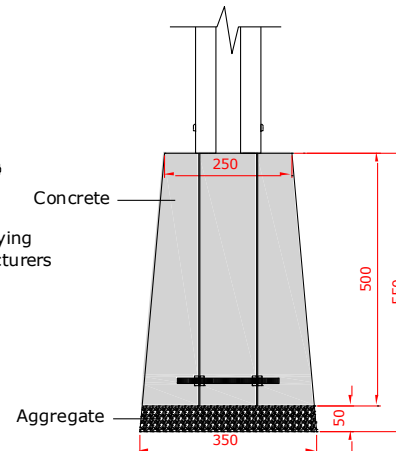


Compact base of hole with 50mm of aggregate. Lower ground Fix post attached of instrument into hole (check instrument straight and level before filling with concrete)

5



Fill hole with fast drying concrete to manufacturers specifications.



500mm min depth

Duplicate points 1-5. Capella requires 2 Ground Fix Assemblies

Ground Fixed

Capella
Page 3 of 3



Components:

-  x4
M10x30 Security Screw
-  x4
M10 Nyloc Nut
-  x8
M10 BZP Nut
-  x4
M10x200 Threaded Bar

Metric Conversion:

- 50mm/ 2"
- 250mm/ 10"
- 350mm/ 14"
- 500mm/ 1 ft 7 11/16"
- 550mm/ 1 ft 9 21/32"



BS EN 1176