

# Installation Instructions

## Wall Fixed

Cadenza  
Page 1 of 2



Weight of heaviest part **7kg** (Cadenza) SD  
Weight of heaviest part **13kg** (Cadenza) HD

1. Attach the steel legs to the base of the instrument with the M8 Nyloc Nuts and 2 part security caps. **(1.1)** (See Assembly Guide)

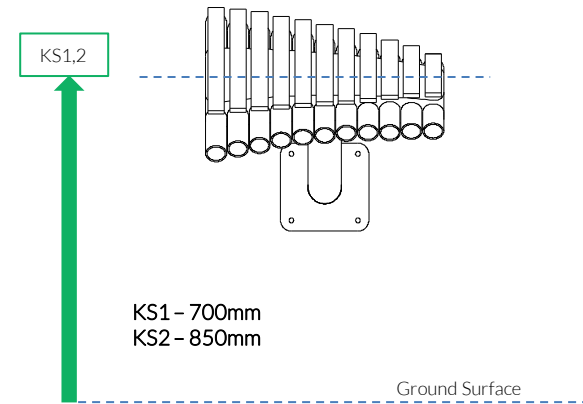
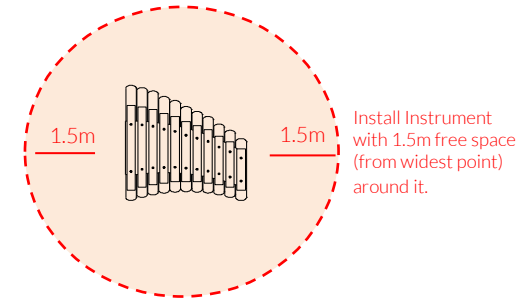
2. Attach Wall Fixing posts to legs. **(1.2)** (See Ground Fix Post Installation Sheet)

3. Mark hole locations (X4) using the pre drilled holes in square plate.

4. Drill hole locations (X4) according to your chosen fixings (frame fixings, wall bolts or chemical anchors) depending of the structure of the wall. **(Not Supplied)**

5. Fix through Plate with suitable fixings (not supplied) in correct orientation and height for intended Key stage. Cover Fixings with 2 Part Caps supplied.

6. Attach the 1 pair of beater to the saddle strap on the leg. **(1.3)**



Pair Small Red Beaters X1

Wall Fix Components:



Wall Anchors not supplied



Spares available from [percussionplay.com](http://percussionplay.com) or from your local distributor

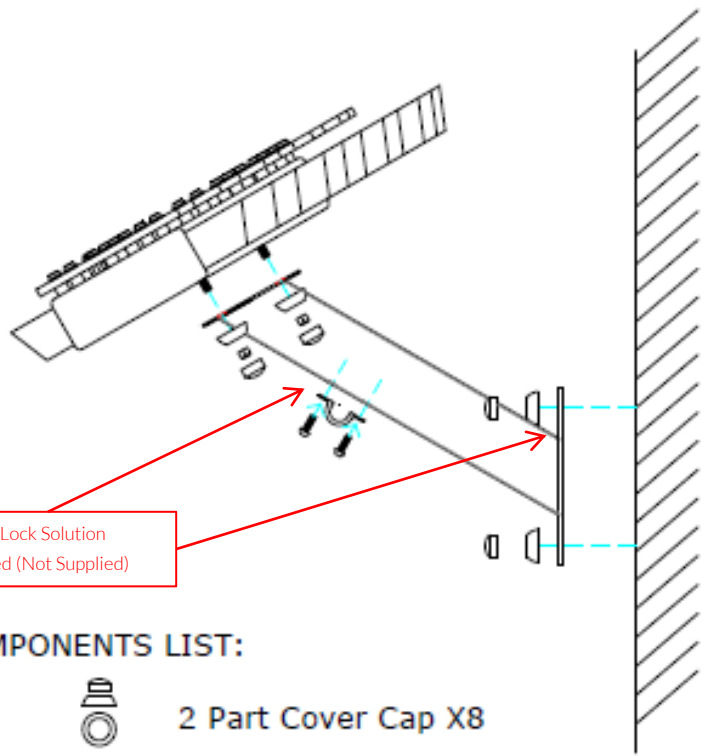
12 - 18Kg

Tools:

Wall Fixed  
Cadenza  
Page 2 of 2







- Instrument Components:
-  x4  
M8 Nyloc Nut
  -  x2  
M6x20 Security Screw
  -  x4  
2 Part Cover Cap
  -  x1  
M6 Saddle Strap




Thread Lock Solution  
Required (Not Supplied)

**COMPONENTS LIST:**

-  2 Part Cover Cap X8
-  M8 Nyloc nut X4
-  Saddle Strap X1
-  M6x20 Pin torx X2

Thread Lock Solution  
Required (Not Supplied)



Wall Fix Components:  x4  
2 Part Cover Cap

Wall Anchors  
not supplied



Spares available from  
[percussionplay.com](http://percussionplay.com) or from your  
local distributor

14 Kg