

# Installation Instructions

## Surface Fixed

Bell Lyre  
Page 1 of 2

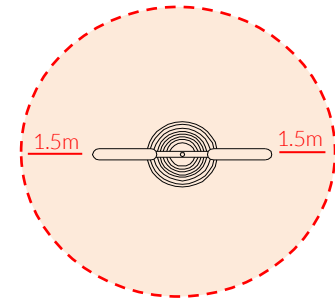


1. Attach Surface Fixing posts to legs. (See Surface Fix Post Installation Sheet)

2. **Locate Plate** in desired location and mark holes to fix to desired surface.

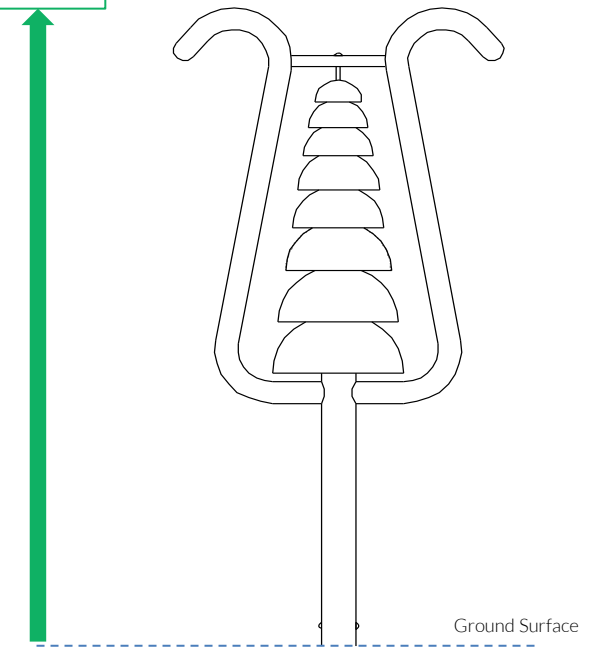
3. Fix Surface Plate to level surface using Coachscrews, Rawlbolts, chemical anchors or similar as deemed appropriate by Installer.

4. Make sure all fixings are covered and secure using cover caps provided.



Install Instrument with 1m free space (from widest point) around it.

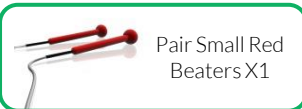
1525mm



Ground Surface

**CAUTION:** Bell Lyre surface can get hot in direct sunlight, if possible install in shaded areas.

Weight of heaviest part 14.4kg (Bell Lyre)



Pair Small Red Beaters X1

Surface Fix Components:



x4



x1



x1

2 Part Cover Cap M10x70 Security Screw M10 Barrel Nut

**Ground Anchors not supplied**



Spares available from [percussionplay.com](http://percussionplay.com) or from your local distributor

**23.5 Kg**

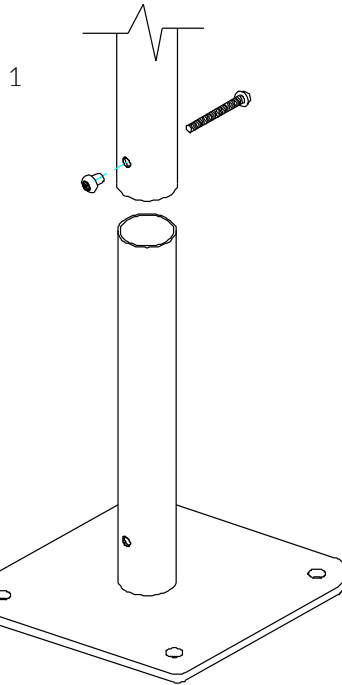
# Surface Fix Post Installation

Tools:

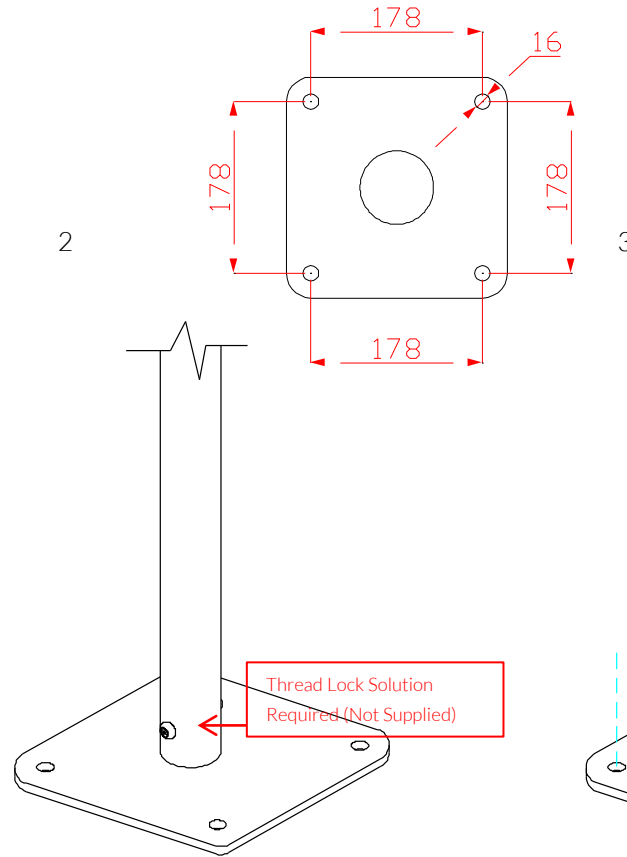
 x2  
TX 45 Driver Bit

## Surface Fixed

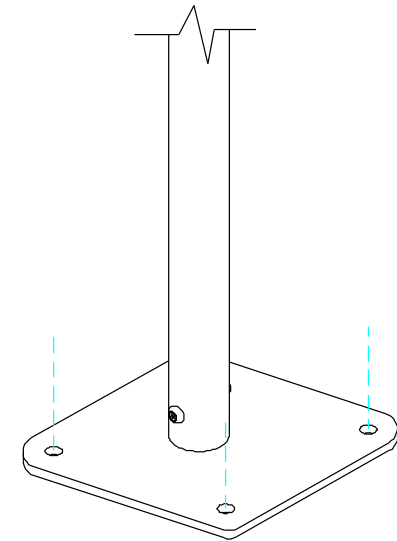
Bell Lyre  
Page 2 of 2



Locate the Surface fix Plate into the leg of the instrument.



Fix instrument to Surface fix plate using M10 bolt and Barrel Nut and use **thread locking solution** to prevent fixings working loose.



Fix Surface Plate to the ground surface **Ground Anchors Not provided** cover fixings with caps provided

Thread Lock Solution  
Required (Not Supplied)

### Components:



x1

M10 Barrel Nut



x1

M10x70 Security Screw



x4

2 Part Cover Cap

Thread Lock Solution  
Required (Not Supplied)



MADE IN  
BRITAIN

BSEN 1176

